



Oscilent Corporation

# PRODUCT SPECIFICATION

REV O Dec 15 2016

Oscilent Controlled Document

Ordering Code / Part Number	Product Description
1412-0200-025	Piezoelectric Ultrasonic Gas Meter Sensor



## Contents

- o Dimensions
- o Environmental Specifications
- o Electrical Specifications

## Applications

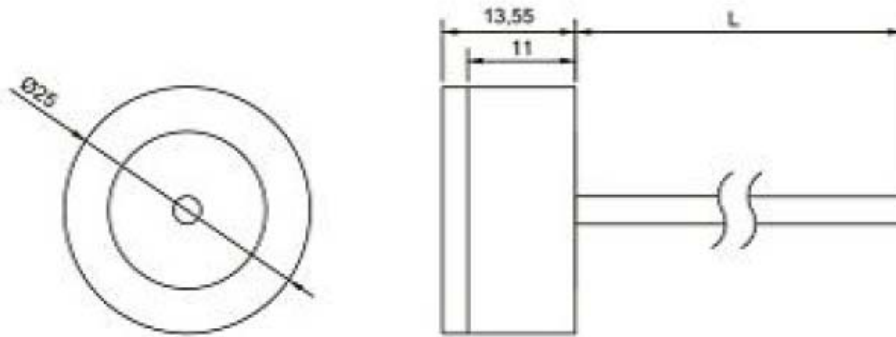
- o Gas meters



Oscilent Corporation  
Telephone: 1.949.252.0522  
Fax: 1.949.252.0599  
Email: [sales@oscilent.com](mailto:sales@oscilent.com)



## Dimensions



## Environmental Specifications

Parameters Description	Unit			
Operating Temperature	°C	-20	~	+60
Storage Temperature	°C	-40	~	+85

Applicable to homogeneous gas media measurement, including gas speed detection, stable gas media range measurement, obstacle detection and number counting.

## Electrical Specifications

Parameters Description	
Nominal Frequency	200 $\pm$ 10kHz
Instantaneous Drive Voltage Max.	110V (Vp-p)
Paired Sensitivity	Receiving signal 100mV min when measured peak to peak when driven with 7 cycle burst 20.0V (Vp-p) at 200kHz across a 70mm air channel.
Bandwidth (-3dB)	25kHz min.
Beamwidth (200kHz)	10° $\pm$ 2°
Capacitance	1100 $\pm$ 20%pF
Impedance (200kHz) Zr	3 $\pm$ 30%k $\Omega$
Insulation Resistance (250V)	1 G $\Omega$ min.

\* Transducer specification at 25  $\pm$ 3°C and 40%~70% R.H. in water