



Oscilent Corporation

PRODUCT SPECIFICATION

REV O Dec 15 2016

Oscilent Controlled Document

Ordering Code / Part Number	Product Description
1404-1000-200	Piezoelectric Ultrasonic Liquid Media Sensor



Contents

- o Dimensions
- o Environmental Specifications
- o Electrical Specifications

Applications

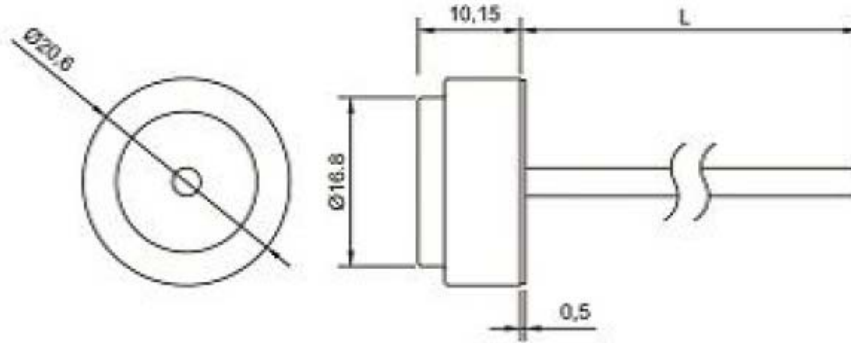
- o Ultrasonic heat meters
- o Water meters
- o Gas meters



Oscilent Corporation
Telephone: 1.949.252.0522
Fax: 1.949.252.0599
Email: sales@oscilent.com



Dimensions



Environmental Specifications

Parameters Description	Unit			
Operating Temperature	°C	+4	~	+100
Storage Temperature	°C	-20	~	+85

Applicable to homogeneous liquid media measurement, including water speed detection, objects distance measurement and obstacle detection.

Electrical Specifications

Parameters Description	Unit
Nominal Frequency	1000 ±100kHz
Instantaneous Drive Voltage Max.	220V
Paired Sensitivity	Receiving signal 900mV min when measured peak to peak when driven with 10 cycle burst 2.0V (Vp-p) at 1MHz across a 110mm range.
Bandwidth (-3dB)	200kHz
Capacitance	1200 ±20%pF
Impedance (1MHz) Zr	100~500 Ω
Insulation Resistance (250V)	1 GΩ min.

* Transducer specification at 25 ±3°C and 40%~70% R.H. in water