



Oscilent Corporation

PRODUCT SPECIFICATION

REV O Sept 01 2016

Oscilent Controlled Document

Ordering Code / Part Number	Product Description
1017-1515-C603507	RFID Tags Barite 15x15x4 Plate



Contents

- o Physical Specifications and Read Range
- o Radiation Pattern
- o Environmental Specifications
- o Functional Specifications

Applications

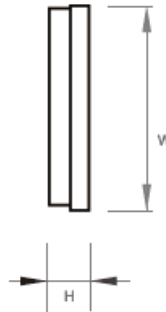
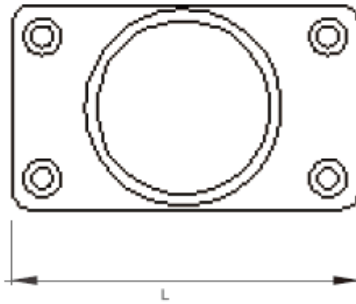
- o IT Assets
- o Tool Tracking
- o Other Metal Products



Oscilent Corporation
Telephone: 1.949.252.0522
Fax: 1.949.252.0599
Email: sales@oscilent.com

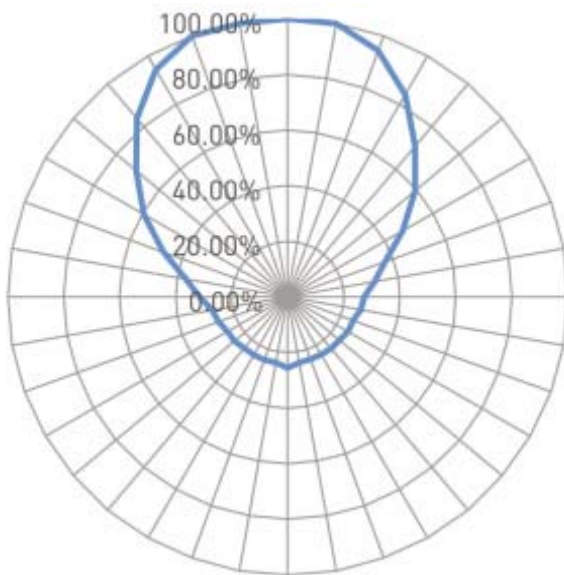


Physical Specifications and Read Range

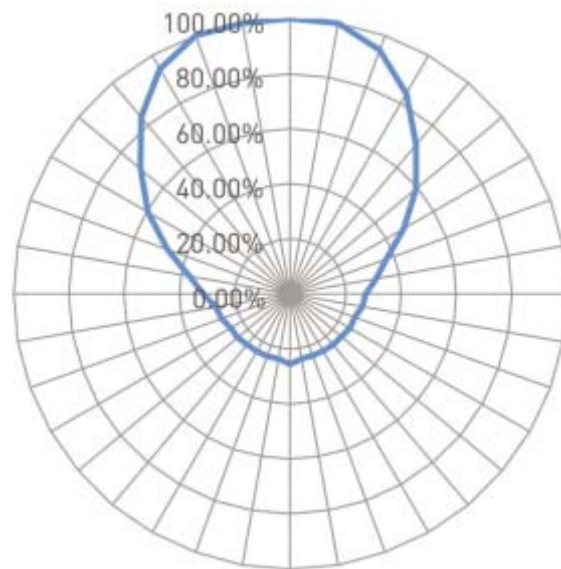


Barite	
Size LxWxH (mm)	60x35x7.5
Avg Read Range on Metal, 4W EIRP (m)	3.0
Encasing	Embedded

Radiation Pattern



On Metal



In Metal

**Environmental Specifications**

Parameters Description	Unit			
Operating Temperature	°C	-40	~	+85
Application Temperature	°C	-40	~	+150
IP Rate	IP68			
Attachment Warranty	Adhesive 1 Year			

Functional Specifications

Parameters Description	
Protocol	EPC C1G2 (ISO 18000-6C)
Operating Frequency	902~928 MHz (US) : 866~868 MHz (EU)
IC Type	Alien H3
Memory	512-bit user memory; 64-bit TID; 96-bit EPC
Read Rate	400 tags per second for 96-EPC bit number
Write Cycles	100,000 at 25°C
Data Retention	50 years