



# PRODUCT SPECIFICATION

REV A January 2010

Oscilent Controlled Document

Ordering Code / Part Number	Product Description
802-RF869.0M-A	Wireless, RF SAW Filter

## Specification Contents

- o Mechanical Dimensions
- o Test Circuit
- o Maximum Ratings
- o Electrical Specification
- o Frequency Performance
- o Wide Band
- o Smith Chart

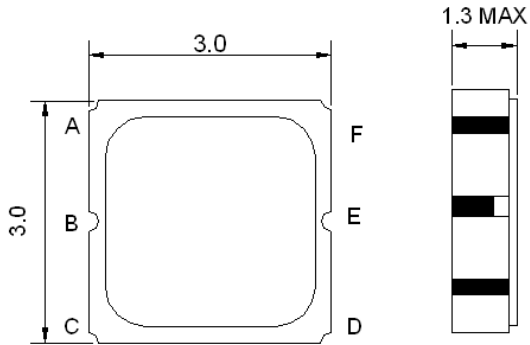
## Notes

- o Electrostatic Sensitive Device (ESD) 
- o Avoid excessive ultrasonic exposure
- o Solderability compatible with JEDEC J-STD-020C Pb-free process, 260°C peak reflow temperature
- o This product complies with EU directive 2002/95/EC (RoHS compliance)

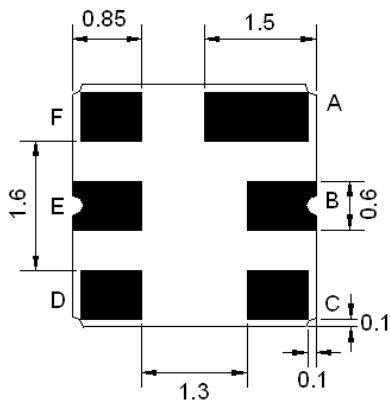




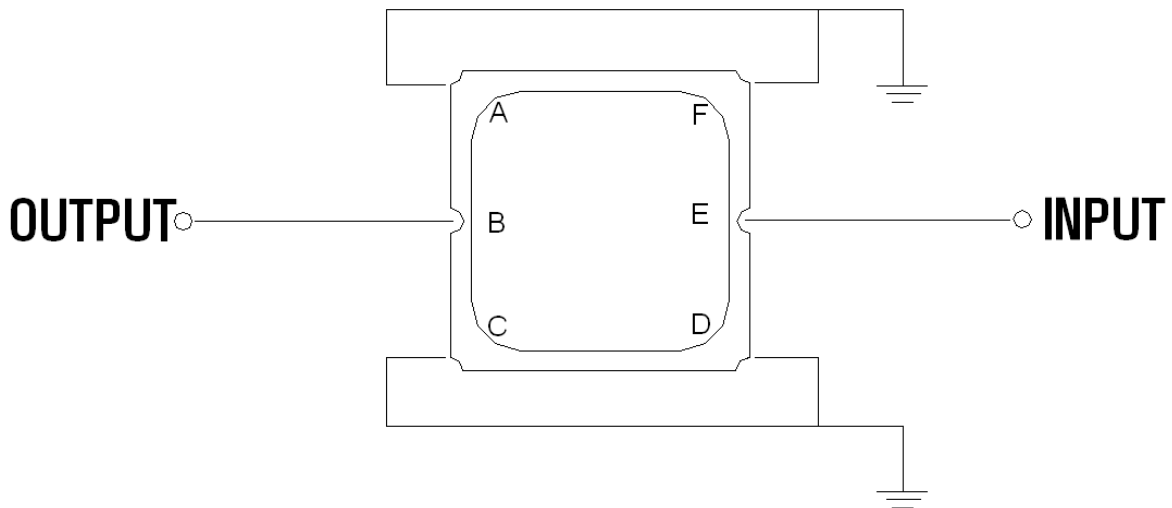
**Mechanical Dimensions (mm)**



Pin Description	
A, C, D, F	Ground
E	In
B	Out



**Test Circuit**



Source and Load Impedance: 50  $\Omega$



### Maximum Ratings

Parameters Description	Unit	Minimum	Typical	Maximum
Operating Temperature Range	°C	-10	-	+60
Storage Temperature Range	°C	-40	-	+85
Maximum DC Voltage	V	-	-	3
Maximum Input Power	dBm	-	-	17
Source Impedance (single ended) <sup>(1)</sup>	Ω	-	50	-
Load Impedance (single ended) <sup>(1)</sup>	Ω	-	50	-

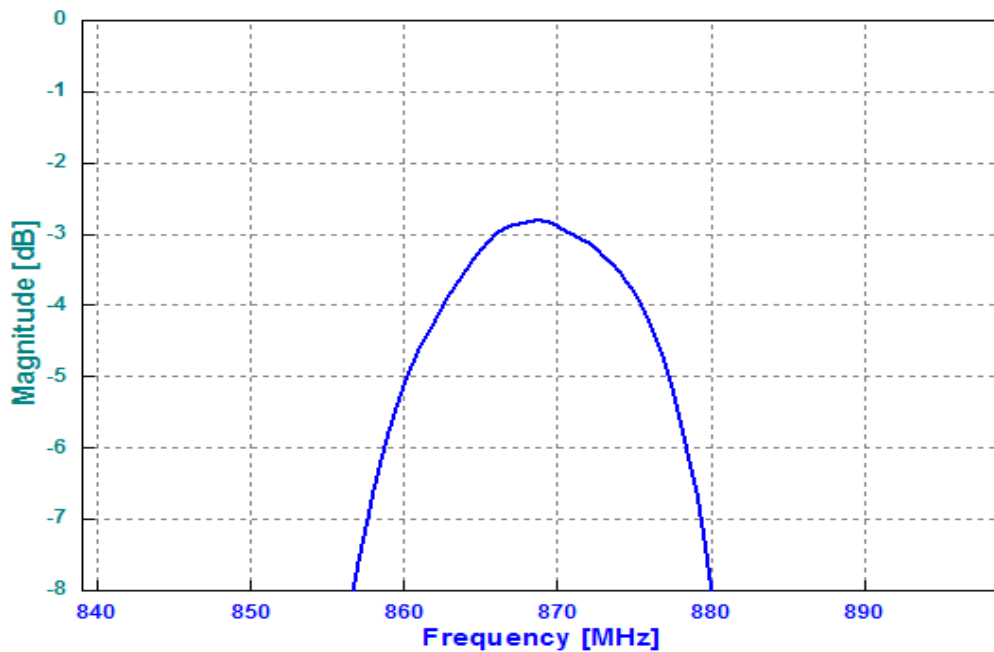
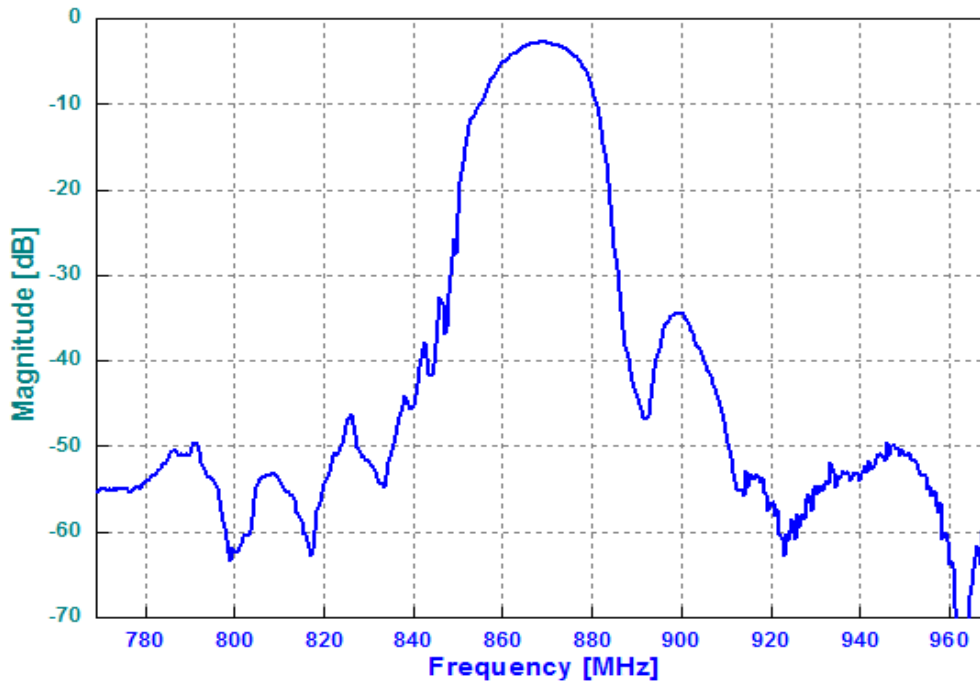
Notes: No Matching Network

### Electrical Specification

Parameters Description	Unit	Minimum	Typical	Maximum
Center Frequency (Fo)	MHz	-	869	-
Insertion Loss within 868.0 ~ 870.0 MHz	dB	-	2.8	4.0
Amplitude Ripple within 868.0 ~ 870.0 MHz	dB <sub>p-p</sub>	-	0.2	1.5
Attenuation:				
825.0 ~ 828.0 MHz	dB	40	47	-
835.0 ~ 842.0 MHz	dB	30	39	-
891.0 ~ 894.0 MHz	dB	30	42	-
910.0 ~ 913.0 MHz	dB	40	47	-

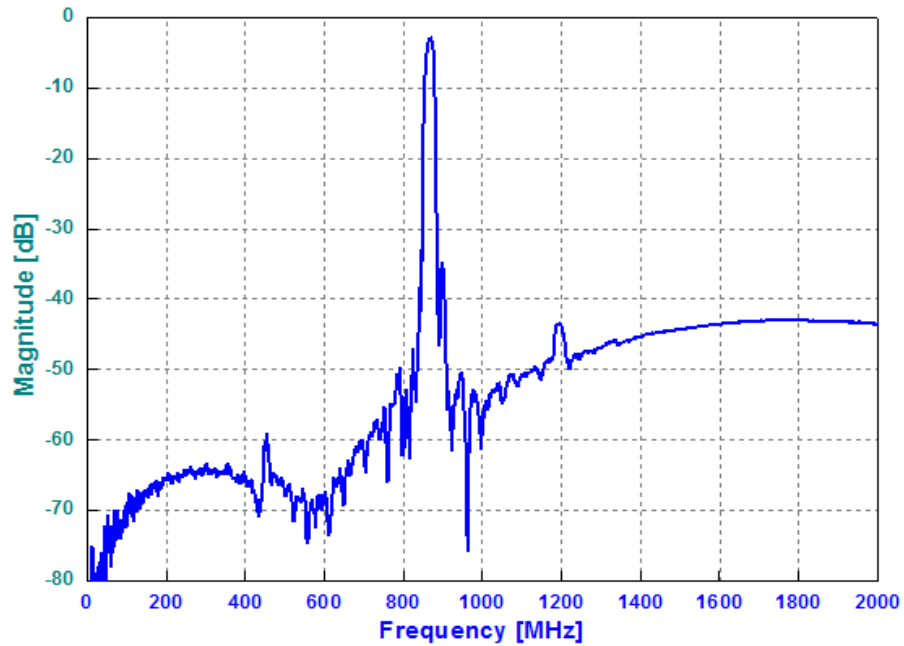


### Frequency Performance





### Wide Band



### Smith Chart

