



REV A January 2010

Oscilent Controlled Document

Ordering Code / Part Number	Product Description
801-RF1575.42M-D	GPS, RF SAW Filter

Specification Contents

- o Mechanical Dimensions
- o Test Circuit
- o Maximum Ratings
- o Electrical Specification
- o Frequency Performance
- o VSWR
- o Smith Chart

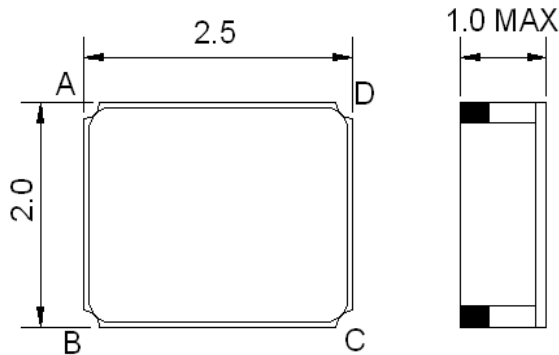
Notes

- o Electrostatic Sensitive Device (ESD) 
- o Avoid excessive ultrasonic exposure
- o Solderability compatible with JEDEC J-STD-020C Pb-free process, 260°C peak reflow temperature
- o This product complies with EU directive 2002/95/EC (RoHS compliance)

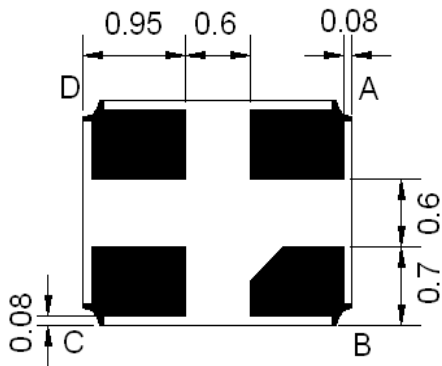




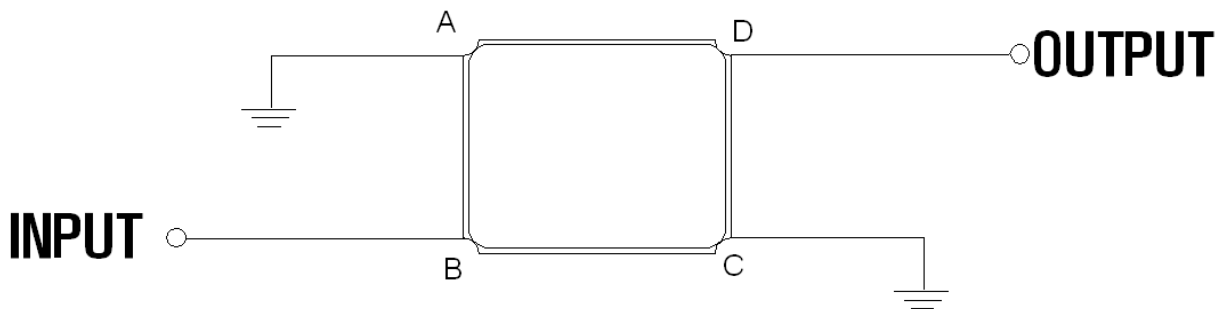
Mechanical Dimensions (mm)



Pin Description	
A, C	Ground
B	In
D	Out



Test Circuit



Source and Load Impedance: 50 Ω

**Maximum Ratings**

Parameters Description	Unit	Minimum	Typical	Maximum
Operating Temperature Range	°C	-40	-	+85
Storage Temperature Range	°C	-40	-	+85
Maximum DC Voltage	V	-	-	7.5
Maximum Input Power	dBm	-	-	20
Source Impedance (single ended) ⁽¹⁾	Ω	-	50	-
Load Impedance (single ended) ⁽¹⁾	Ω	-	50	-

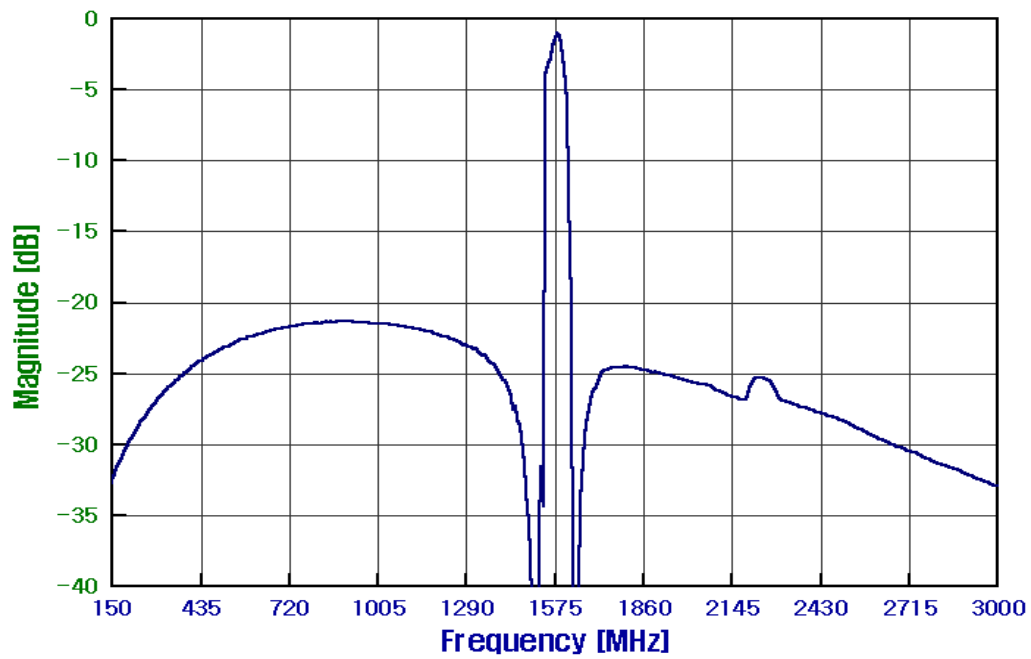
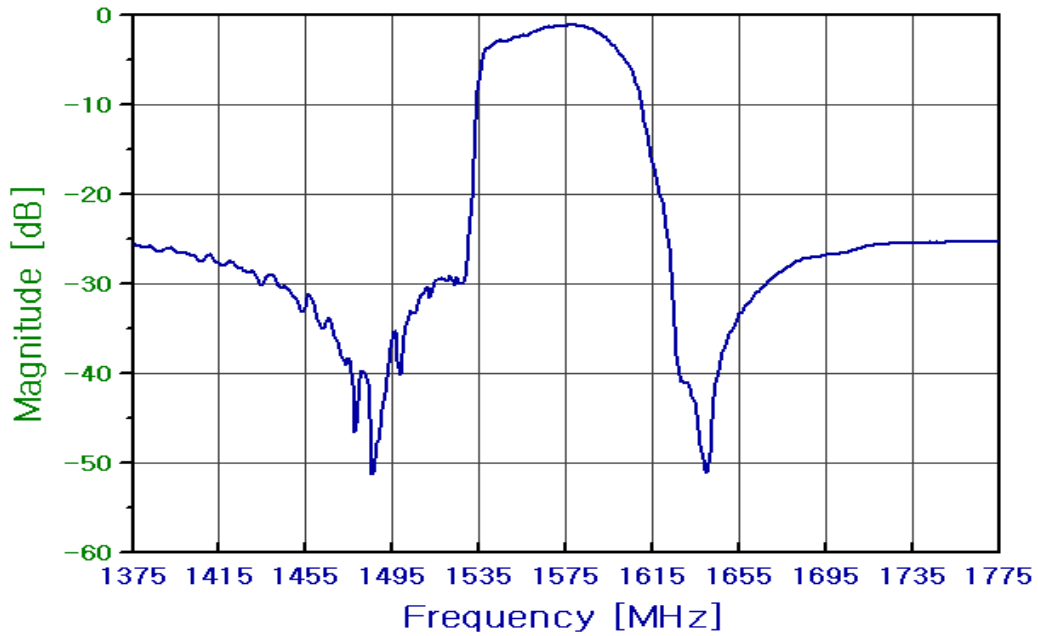
Notes: No Matching Network (Ref. Testing Environment Circuit as shown above).

Electrical Specification

Parameters Description	Unit	Minimum	Typical	Maximum
Center Frequency (Fo)	MHz	-	1575.42	-
Insertion Loss within 1574.42 ~ 1576.42 MHz	dB	-	1.0	1.5
Amplitude Ripple within 1574.42 ~ 1576.42 MHz	dB _{p-p}	-	0.1	0.5
Attenuation:				
D.C. ~ 1429 MHz	dB	19	21	-
1429 ~ 1501 MHz	dB	23	26	-
1501 ~ 1526 MHz	dB	20	25	-
1625 ~ 1650 MHz	dB	15	30	-
1650 ~ 2200 MHz	dB	21	25	-
2200 ~ 2500 MHz	dB	21	25	-
VSWR within 1574.42 ~ 1576.42 MHz	-	-	1.1	1.5

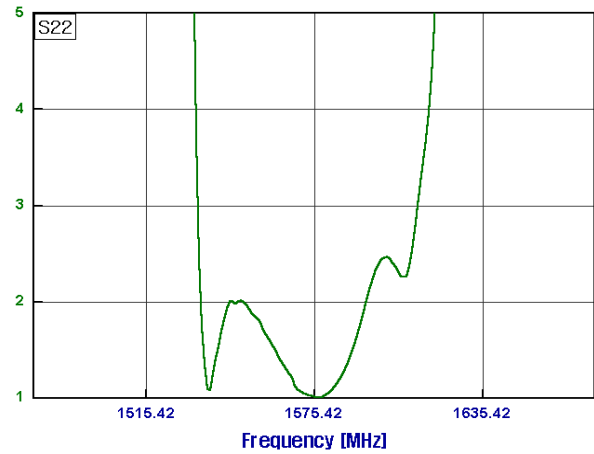
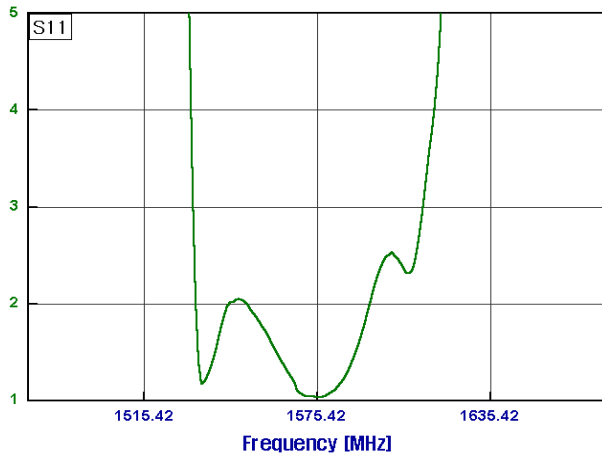


Frequency Performance





VSWR



Smith Chart

