



REV A January 2010

Oscilent Controlled Document

Ordering Code / Part Number	Product Description
800-RF2462.5M-A	DMB, RF SAW Filter

Specification Contents

- o Mechanical Dimensions
- o Test Circuit
- o Maximum Ratings
- o Electrical Specification
- o Frequency Performance
- o VSWR
- o Smith Chart

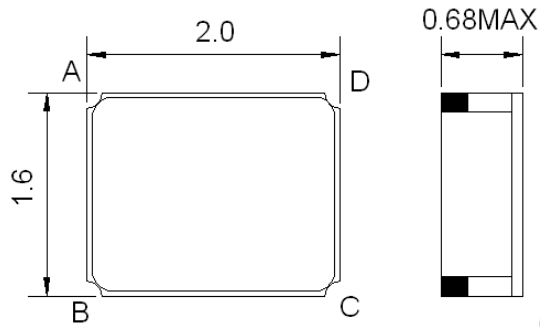
Notes

- o Electrostatic Sensitive Device (ESD) 
- o Avoid excessive ultrasonic exposure
- o Solderability compatible with JEDEC J-STD-020C Pb-free process, 260°C peak reflow temperature
- o This product complies with EU directive 2002/95/EC (RoHS compliance)

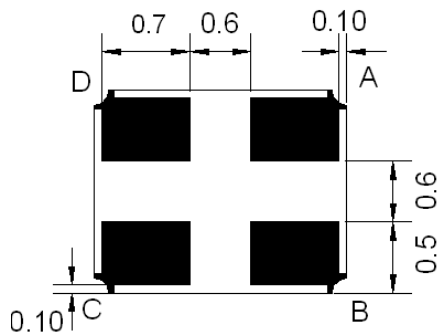




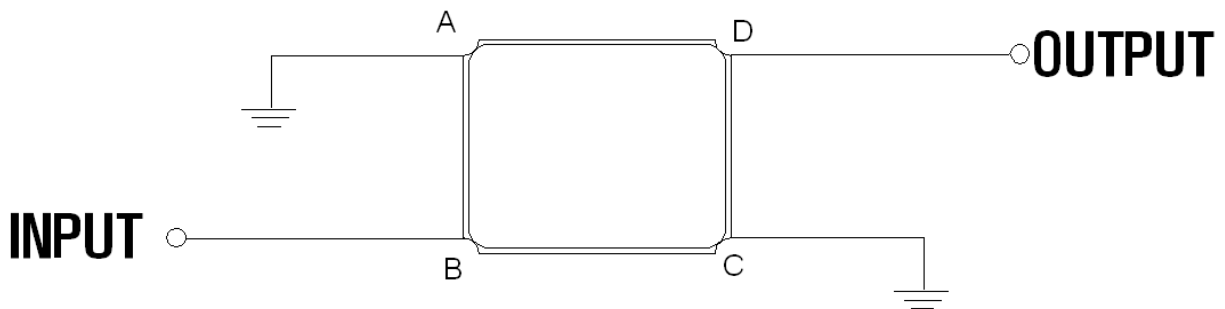
Mechanical Dimensions (mm)



Pin Description	
A, C	Ground
B	In
D	Out



Test Circuit



Source and Load Impedance: 50 Ω



Maximum Ratings

Parameters Description	Unit	Minimum	Typical	Maximum
Operating Temperature Range	°C	-30	-	+80
Storage Temperature Range	°C	-40	-	+85
Maximum DC Voltage	V	-	-	0.2
Maximum Input Power	dBm	-	-	0
Source Impedance (single ended) ⁽¹⁾	Ω	-	50	-
Load Impedance (single ended) ⁽¹⁾	Ω	-	50	-

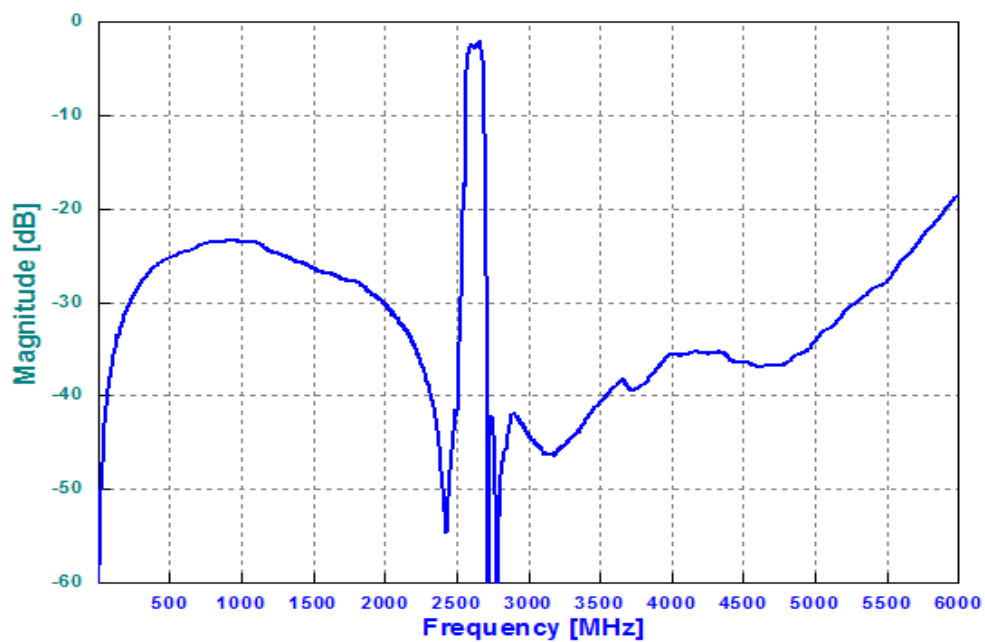
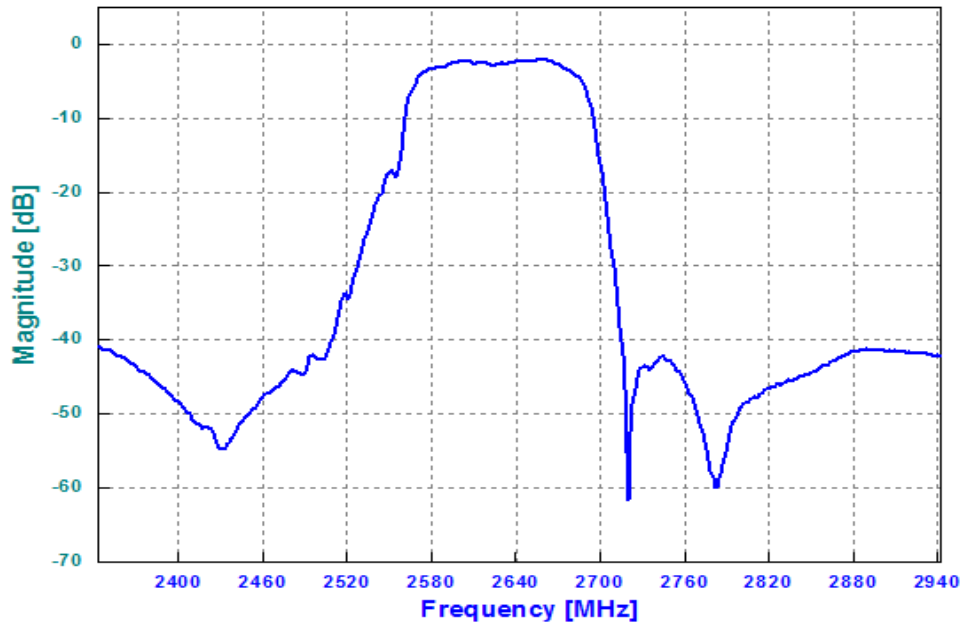
Notes: No Matching Network (Ref. Testing Environment Circuit as shown above).

Electrical Specification

Parameters Description	Unit	Minimum	Typical	Maximum
Center Frequency (Fo)	MHz	-	2642.5	-
Insertion Loss within 2630.0 ~ 2655.0 MHz	dB	-	2.6	3.2
Amplitude Ripple within 2630.0 ~ 2655.0 MHz	dB _{p-p}	-	0.5	1.5
Attenuation:				
D.C. ~ 2400 MHz	dB	20	23	-
2400 ~ 2500 MHz	dB	35	40	-
2750 ~ 3500 MHz	dB	35	39	-
3500 ~ 6000 MHz	dB	15	20	-
VSWR within 2630.0 ~ 2655.0 MHz	-	-	2.1	2.5



Frequency Performance





VSWR

