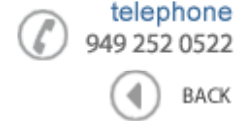




Data Sheet



Product Category: RF SAW Filter

Part Number	Package	Application	Last Modified
862-RF2140.0M-A6	3.0 x 3.0 SMD	WCDMA	Feb 19, 2010

TYPE :

WCDMA, RF-Rx SAW Filter

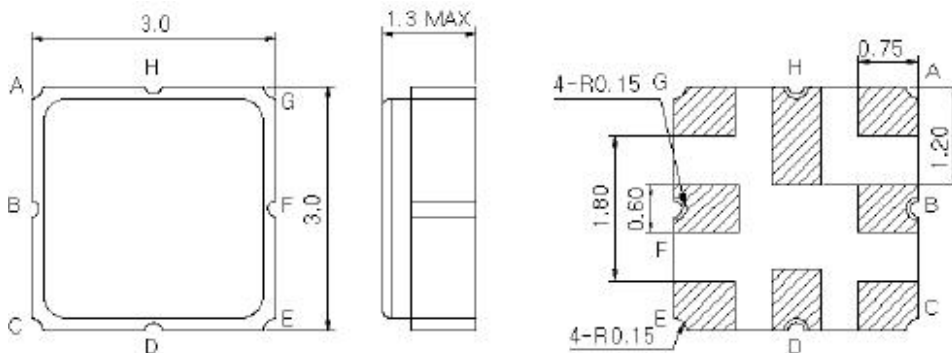


PART NUMBER :

862-RF2140.0M-A6**OPERATING CONDITIONS / ELECTRICAL CHARACTERISTICS**

PARAMETERS	Condition	Minimum	Typical	Maximum	Units
Center Frequency (Fo)	-	-	2140.0	-	MHz
Insertion Loss	2130.0~2150.0 MHz	-	2.3	3.5	dB
Stop Band Attenuation:	D.C.~500.0 MHz	21	35	-	dB
	500.0~ 1900.0 MHz	20	30	-	
	1900.0~ 2050.0 MHz	25	34	-	
	2070 MHz	38	42	-	
	2240.0~2300.0 MHz	25	38	-	
	2300.0~ 4500.0 MHz	20	28	-	
Amplitude Ripple	2130.0~2150.0 MHz	-	0.5	1.5	dBp-p
Source Impedance (single ended)*	-	-	50	-	ohm
Load Impedance (single ended)*	-	-	50	-	ohm
VSWR	2130.0~2150.0 MHz	-	1.7	2.3	-
Maximum DC Voltage	-	-	-	7.5	V
Maximum Input Power	-	-	-	15	dBm
Operating Temperature	-	-5	-	+70	°C

* No Matching Network (Ref. Testing Environment Circuit as shown below)

PACKAGE OUTLINE (mm)**TEST FIXTURE**

Contact Oscilent for Details

FREQUENCY RESPONSE

Contact Oscilent for Details

Oscilent Corporation - CALL **1.949.252.0522****Part No.:** 862-RF2140.0M-A618226 McDermott Street, Building B, Irvine, CA 92614, USA
Fax: 1.949.252.0599, E-Mail: Sales@Oscilent.com

