



REV A January 2010

Oscilent Controlled Document

Ordering Code / Part Number	Product Description
882-RF881.5M-J	CDMA, Balanced RF-Rx SAW Filter

### Specification Contents

- o Mechanical Dimensions
- o Test Circuit
- o Maximum Ratings
- o Electrical Specification
- o Frequency Performance
- o VSWR
- o Smith Chart

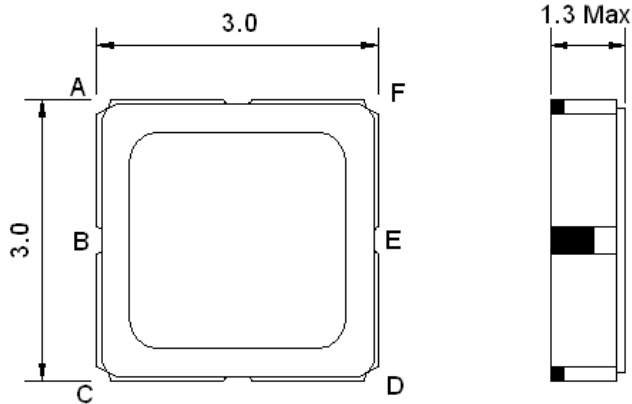
### Notes

- o Electrostatic Sensitive Device (ESD) 
- o Avoid excessive ultrasonic exposure
- o Solderability compatible with JEDEC J-STD-020C Pb-free process, 260°C peak reflow temperature
- o This product complies with EU directive 2002/95/EC (RoHS compliance)

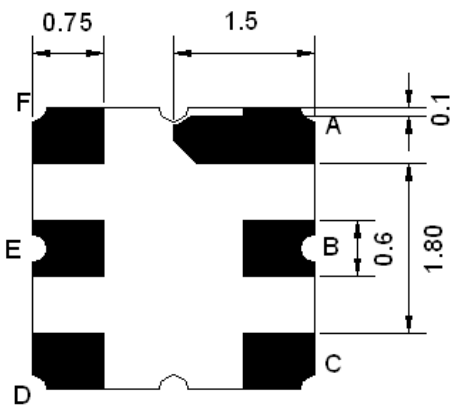




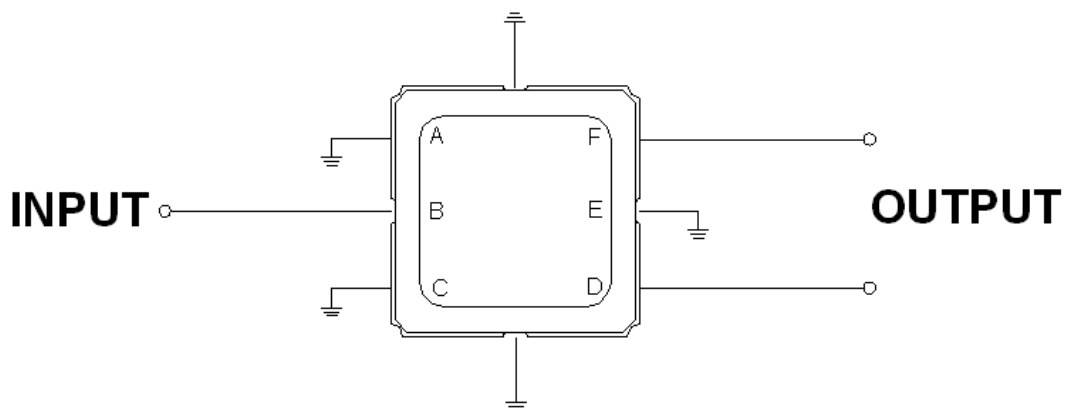
## Mechanical Dimensions (mm)



Pin Description	
A, C, E	Ground
B	In
D, F	Out



## Test Circuit



Source Impedance: 50  $\Omega$

Load Impedance: 50  $\Omega$

**Maximum Ratings**

Parameters Description	Unit	Minimum	Typical	Maximum
Operating Temperature Range	°C	-30	-	+80
Storage Temperature Range	°C	-40	-	+85
Maximum DC Voltage	V	-	-	5
Maximum Input Power	dBm	-	-	5
Source Impedance (single ended) <sup>(1)</sup>	Ω	-	50	-
Load Impedance (balanced ended) <sup>(1)</sup>	Ω	-	50	-

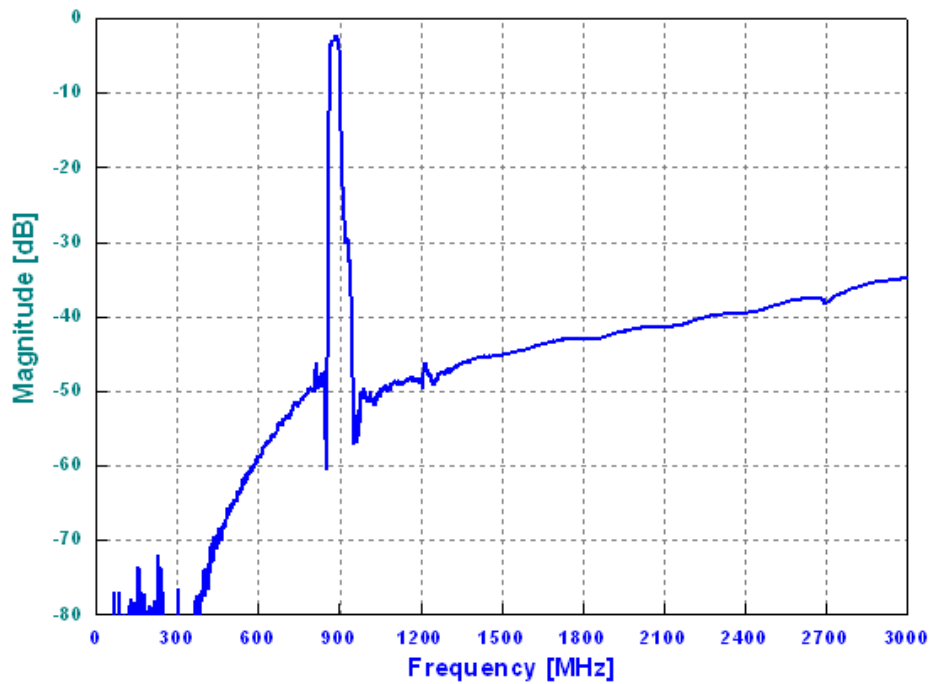
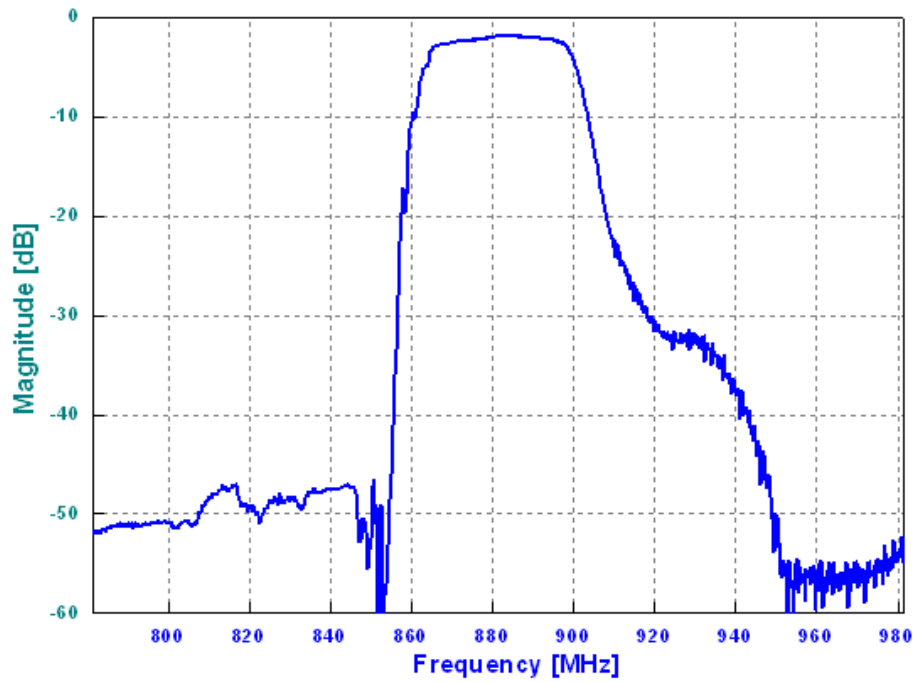
Notes: No Matching Network

**Electrical Specification**

Parameters Description	Unit	Minimum	Typical	Maximum
Center Frequency (Fo)	MHz	-	881.5	-
Insertion Loss within 869.0 ~ 894.0 MHz	dB	-	2.5	3.0
Amplitude Ripple within 869.0 ~ 894.0 MHz	dB <sub>p-p</sub>	-	0.8	1.5
Stop Band Attenuation:				
D.C. ~ 824.0 MHz	dB	40	47	-
824.0 ~ 849.0 MHz	dB	35	45	-
924.0 ~ 970.0 MHz	dB	25	30	-
970.0 ~ 1300.0 MHz	dB	40	45	-
1300.0 ~ 2000.0 MHz	dB	30	38	-
2000.0 ~ 2200.0 MHz	dB	25	38	-
2200.0 ~ 3000.0 MHz	dB	20	30	-
VSWR within 869.0 ~ 894.0 MHz	-	-	1.4	1.9

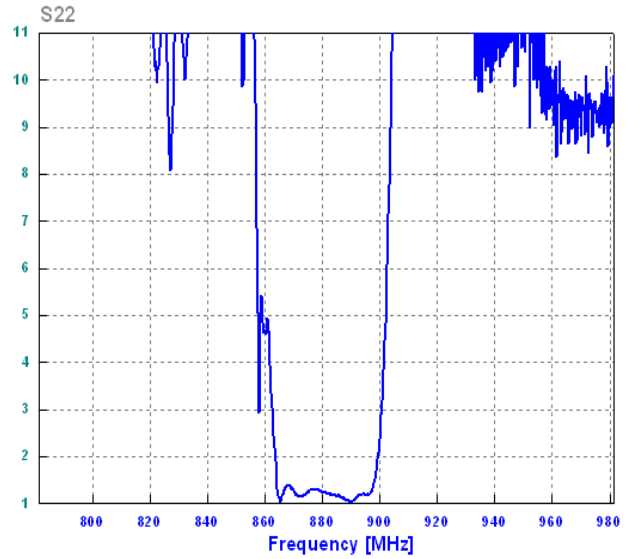
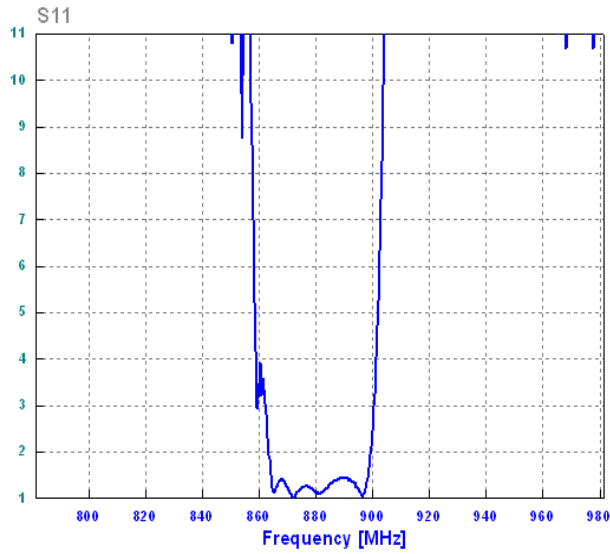


## Frequency Performance





## VSWR



## Smith Chart

