



REV A January 2010

Oscilent Controlled Document

Ordering Code / Part Number	Product Description
882-RF465.0M-G	CDMA 450 A-Band, RF/Rx SAW Filter

Specification Contents

- o Mechanical Dimensions
- o Test Circuit
- o Maximum Ratings
- o Electrical Specification
- o Frequency Performance
- o VSWR
- o Smith Chart

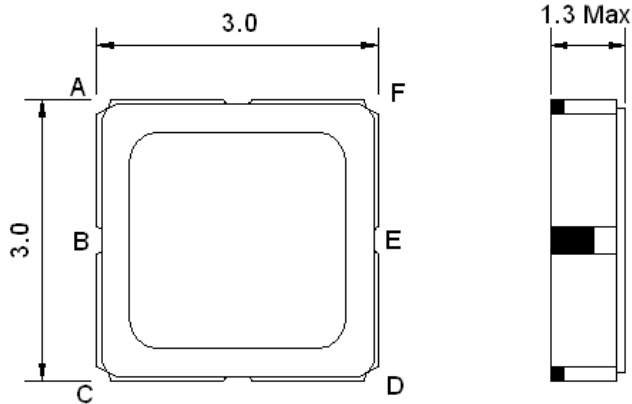
Notes

- o Electrostatic Sensitive Device (ESD) 
- o Avoid excessive ultrasonic exposure
- o Solderability compatible with JEDEC J-STD-020C Pb-free process, 260°C peak reflow temperature
- o This product complies with EU directive 2002/95/EC (RoHS compliance)

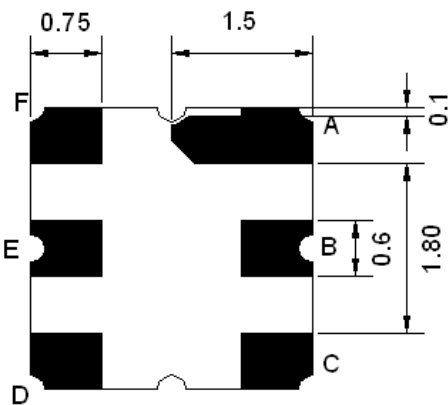




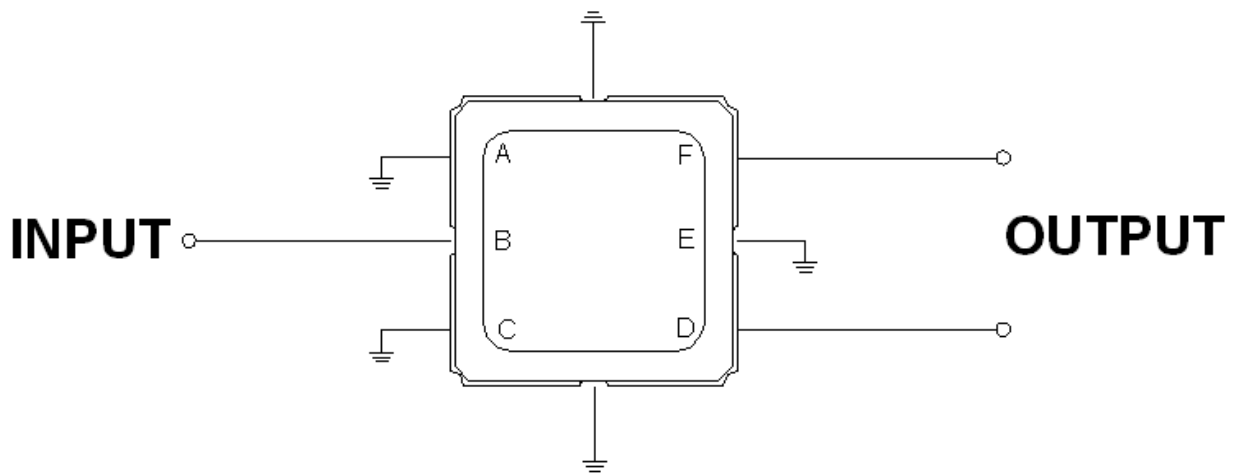
Mechanical Dimensions (mm)



Pin Description	
A, C, E	Ground
B	In
D, F	Out



Test Circuit



Source Impedance: 50 Ω

Load Impedance: 100 Ω

**Maximum Ratings**

Parameters Description	Unit	Minimum	Typical	Maximum
Operating Temperature Range	°C	-30	-	+80
Storage Temperature Range	°C	-40	-	+85
Maximum DC Voltage	V	-	-	0
Maximum Input Power	dBm	-	-	25
Source Impedance (single ended) ⁽¹⁾	Ω	-	50	-
Load Impedance (balanced ended) ⁽¹⁾	Ω	-	100	-

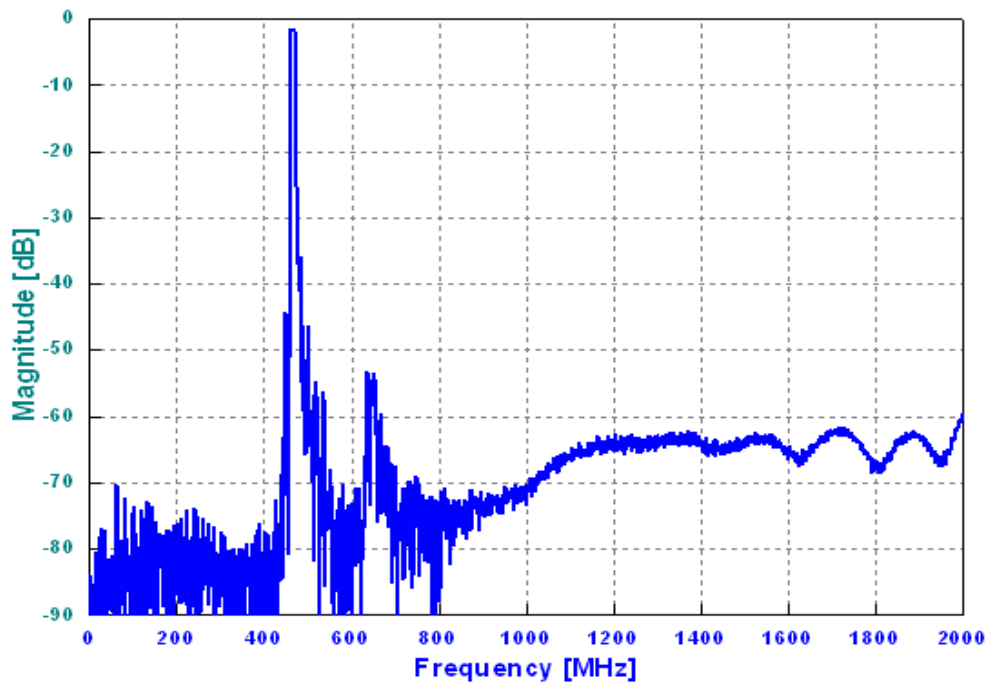
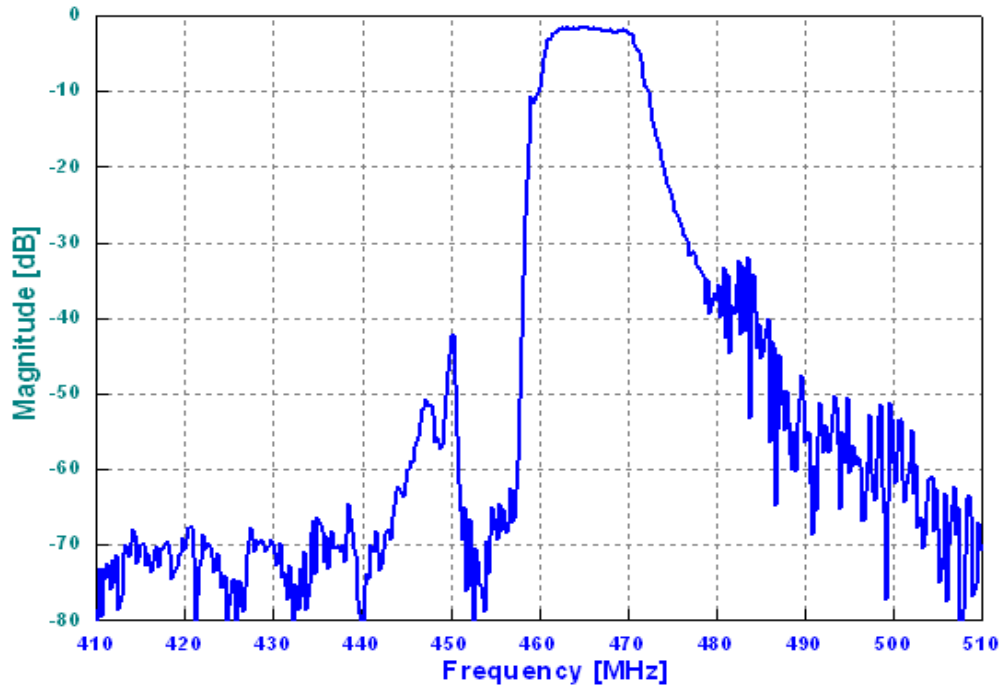
Notes: No Matching Network

Electrical Specification

Parameters Description	Unit	Minimum	Typical	Maximum
Center Frequency (Fo)	MHz	-	465.0	-
Insertion Loss within 462.5 ~467.5 MHz	dB	-	2.2	4.0
Stop Band Attenuation:				
452.5 ~ 457.5 MHz	dB	35	50	-
480.0 ~ 485.0 MHz	dB	30	35	-
485.0 ~ 507.5 MHz	dB	30	40	-
507.5 ~ 1000.0 MHz	dB	40	50	-
1000.0 ~ 1200.0 MHz	dB	45	55	-
1200.0 ~ 1700.0 MHz	dB	45	55	-
1700.0 ~ 2000.0 MHz	dB	35	50	-
VSWR within 462.5 ~ 467.5 MHz	-	-	2.0	2.5

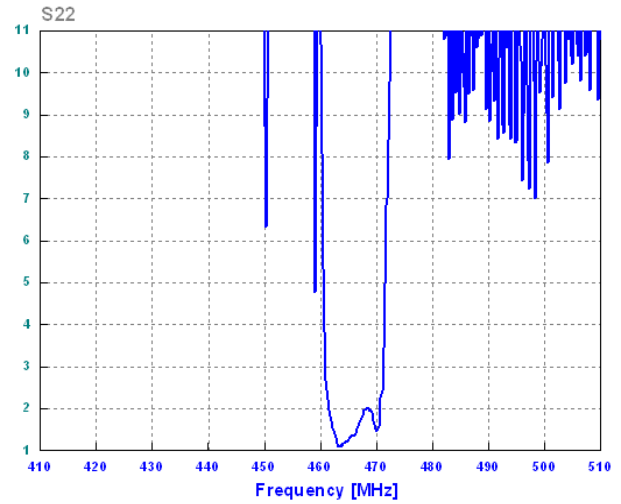
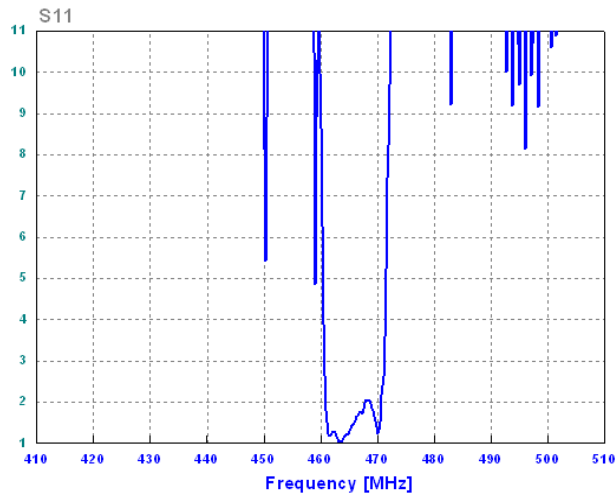


Frequency Performance





VSWR



Smith Chart

