



PRODUCT SPECIFICATION

REV A January 2010


Oscilent Controlled Document

Ordering Code / Part Number	Product Description
863-RF868.35M-F	Remote Control, RF SAW Filter

Specification Contents

- o Mechanical Dimensions
- o Test Circuit
- o Maximum Ratings
- o Electrical Specification
- o Frequency Performance

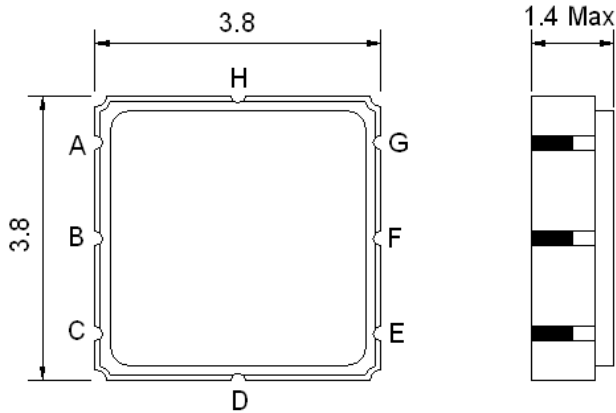
Notes

- o Electrostatic Sensitive Device (ESD) 
- o Avoid excessive ultrasonic exposure
- o Solderability compatible with JEDEC J-STD-020C Pb-free process, 260°C peak reflow temperature
- o This product complies with EU directive 2002/95/EC (RoHS compliance)

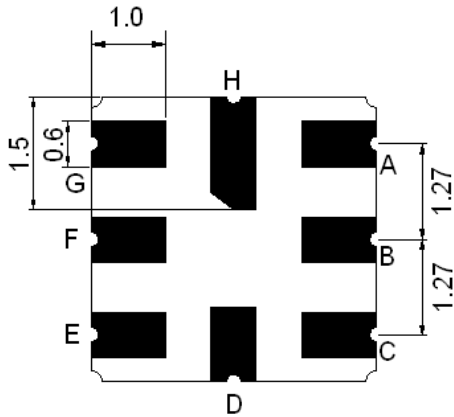




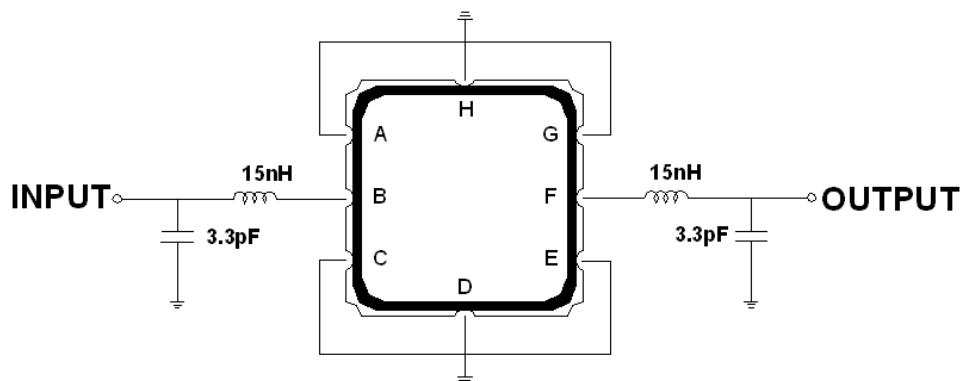
Mechanical Dimensions (mm)



Pin Description	
A, C, D, E, G	Ground
B	In
F	Out



Test Circuit



Source and Load Impedance: 50 Ω



Maximum Ratings

Parameters Description	Unit	Minimum	Typical	Maximum
Operating Temperature Range	°C	-45	-	+90
Storage Temperature Range	°C	-40	-	+85
Maximum DC Voltage	V	-	-	0
Maximum Input Power	dBm	-	-	0
Source Impedance (single ended) ⁽¹⁾	$\Omega//pF$	-	117//3.7	-
Load Impedance (single ended) ⁽¹⁾	$\Omega//pF$	-	117//3.7	-

Notes: With Matching Network

Electrical Specification

Parameters Description	Unit	Minimum	Typical	Maximum
Center Frequency (Fo)	MHz	-	868.35	-
Insertion Loss within 868 ~ 868.78 MHz	dB	-	2.7	4.2
Relative Passband :				
868 ~ 868.78 MHz	dB	-	1.0	3.0
867.9 ~ 868.88 MHz	dB	-	1.5	6.0
3dB Bandwidth	KHz	-	1500	-
Attenuation				
10 ~ 700 MHz	dB	50	55	-
700 ~ 830 MHz	dB	40	45	-
830 ~ 850 MHz	dB	35	40	-
850 ~ 865.02 MHz	dB	25	28	-
871 ~ 874.5 MHz	dB	15	20	-
874.5 ~ 883 MHz	dB	22	26	-
883 ~ 900 MHz	dB	30	35	-
900 ~ 1000 MHz	dB	40	45	-



Frequency Performance

