



PRODUCT SPECIFICATION

REV A January 2010


Oscilent Controlled Document

| Ordering Code / Part Number | Product Description |
|-----------------------------|-------------------------------|
| 863-RF433.92M-A | Remote Control, RF SAW Filter |

Specification Contents

- o Mechanical Dimensions
- o Test Circuit
- o Maximum Ratings
- o Electrical Specification
- o Frequency Performance

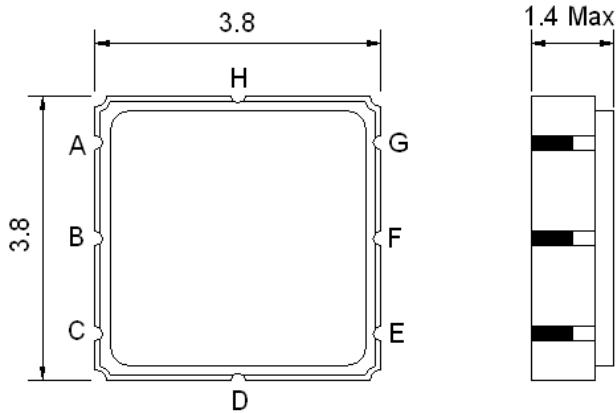
Notes

- o Electrostatic Sensitive Device (ESD) 
- o Avoid excessive ultrasonic exposure
- o Solderability compatible with JEDEC J-STD-020C Pb-free process, 260°C peak reflow temperature
- o This product complies with EU directive 2002/95/EC (RoHS compliance)



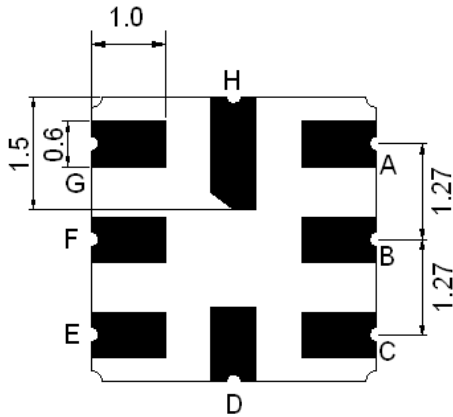


Mechanical Dimensions (mm)

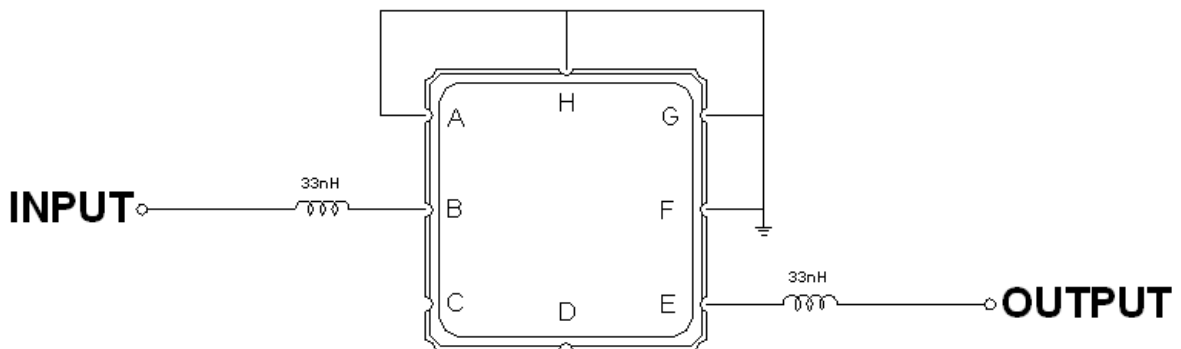


Pin Description

| | |
|------------------|--------|
| A, C, D, F, G, H | Ground |
| B | In |
| E | Out |



Test Circuit



Source and Load Impedance: 50 Ω



Maximum Ratings

| Parameters Description | Unit | Minimum | Typical | Maximum |
|--|------|---------|---------|---------|
| Operating Temperature Range | °C | -40 | - | +85 |
| Storage Temperature Range | °C | -40 | - | +85 |
| Maximum DC Voltage | V | - | - | 10 |
| Maximum Input Power | dBm | - | - | 10 |
| Source Impedance (single ended) ⁽¹⁾ | Ω | - | 50 | - |
| Load Impedance (single ended) ⁽¹⁾ | Ω | - | 50 | - |

Notes: With Matching Network

Electrical Specification

| Parameters Description | Unit | Minimum | Typical | Maximum |
|---|------|---------|---------|---------|
| Center Frequency (Fo) | MHz | - | 433.92 | - |
| Insertion Loss within 433.80 ~ 434.12 MHz | dB | - | 1.9 | 2.5 |
| Pass Band Ripple within 433.76 ~ 434.16 MHz | dB | - | 1.0 | 2.0 |
| Relative Attenuation | | | | |
| 10.0 ~ 414.0 MHz | dB | 45 | 50 | - |
| 414.0 ~ 428.0 MHz | dB | 35 | 45 | - |
| 428.0 ~ 432.92 MHz | dB | 15 | 20 | - |
| 434.92 ~ 442.0 MHz | dB | 10 | 15 | - |
| 442.0 ~ 550.0 MHz | dB | 25 | 32 | - |
| 550.0 ~ 1000.0 MHz | dB | 45 | 50 | - |



Frequency Performance

