



# PRODUCT SPECIFICATION

REV A January 2010


Oscilent Controlled Document

| Ordering Code / Part Number | Product Description              |
|-----------------------------|----------------------------------|
| 862-RF1220.0M-E             | Wireless, Balanced RF SAW Filter |

## Specification Contents

- o Mechanical Dimensions
- o Test Circuit
- o Maximum Ratings
- o Electrical Specification
- o Frequency Performance

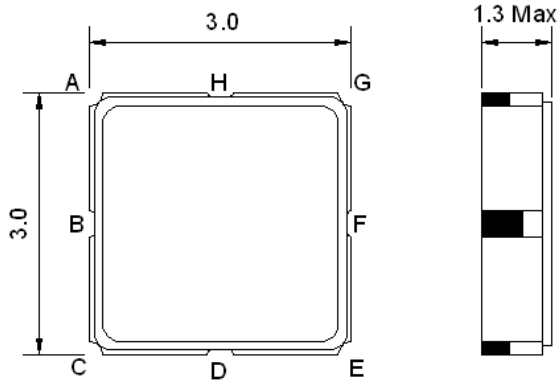
## Notes

- o Electrostatic Sensitive Device (ESD) 
- o Avoid excessive ultrasonic exposure
- o Solderability compatible with JEDEC J-STD-020C Pb-free process, 260°C peak reflow temperature
- o This product complies with EU directive 2002/95/EC (RoHS compliance)

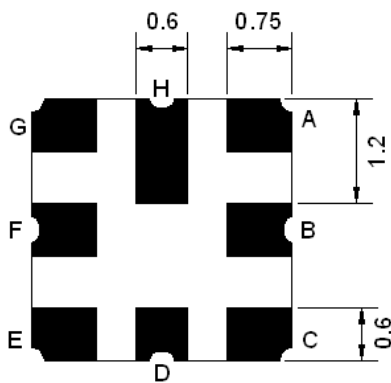




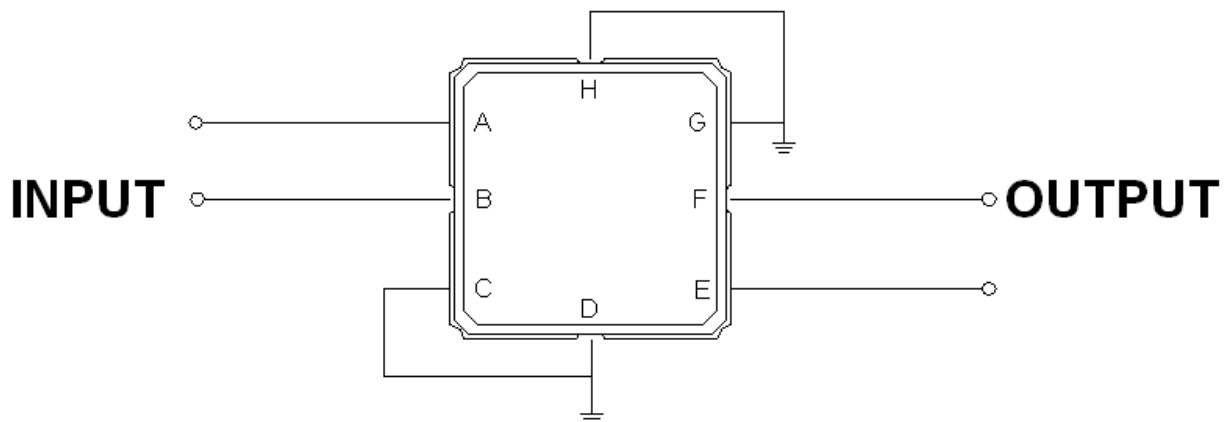
## Mechanical Dimensions (mm)



| Pin Description |              |
|-----------------|--------------|
| C, D, G, H      | Ground       |
| A, B            | Balanced In  |
| E, F            | Balanced Out |



## Test Circuit



Source Impedance: 200  $\Omega$

Load Impedance: 200  $\Omega$

**Maximum Ratings**

| Parameters Description                          | Unit | Minimum | Typical | Maximum |
|---|------|---------|---------|---------|
| Operating Temperature Range                     | °C   | -40     | -       | +85     |
| Storage Temperature Range                       | °C   | -40     | -       | +85     |
| Maximum DC Voltage                              | V    | -       | -       | 3       |
| Maximum Input Power                             | dBm  | -       | -       | 15      |
| Source Impedance (balance ended) <sup>(1)</sup> | Ω    | -       | 200     | -       |
| Load Impedance (balance ended) <sup>(1)</sup>   | Ω    | -       | 200     | -       |

Notes: No Matching Network

**Electrical Specification**

| Parameters Description                        | Unit              | Minimum | Typical | Maximum |
|---|-------------------|---------|---------|---------|
| Center Frequency (Fo)                         | MHz               | -       | 1220.0  | -       |
| Insertion Loss within 1216.0 ~ 1224.0 MHz     | dB                | -       | 3.0     | 3.5     |
| Amplitude Ripple within 1216.0 ~ 1224.0 MHz   | dB <sub>p-p</sub> | -       | 0.8     | 1.3     |
| Group Delay Ripple within 1216.0 ~ 1224.0 MHz | ns <sub>p-p</sub> | -       | 15      | 20      |
| Attenuation                                   |                   |         |         |         |
| 500.0 ~ 1152.0 MHz                            | dB                | 50      | 55      | -       |
| 1152.0 ~ 1184.0 MHz                           | dB                | 44      | 47      | -       |
| 1290.0 ~ 2000.0 MHz                           | dB                | 50      | 55      | -       |



## Frequency Performance

