



PRODUCT SPECIFICATION

REV A January 2010

Oscilent Controlled Document

Ordering Code / Part Number	Product Description
862-RF1220.0M-D	Wireless, Balanced RF SAW Filter

Specification Contents

- o Mechanical Dimensions
- o Test Circuit
- o Maximum Ratings
- o Electrical Specification
- o Frequency Performance

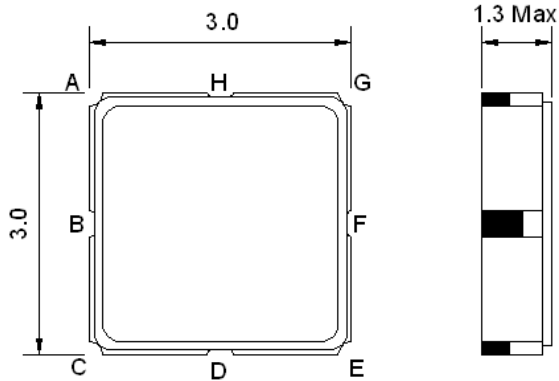
Notes

- o Electrostatic Sensitive Device (ESD) 
- o Avoid excessive ultrasonic exposure
- o Solderability compatible with JEDEC J-STD-020C Pb-free process, 260°C peak reflow temperature
- o This product complies with EU directive 2002/95/EC (RoHS compliance)

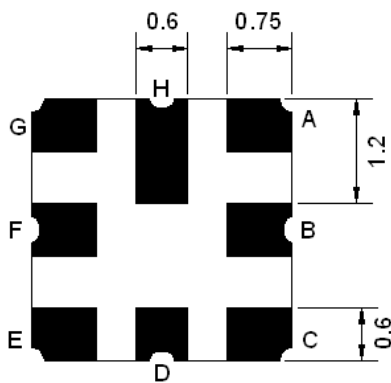




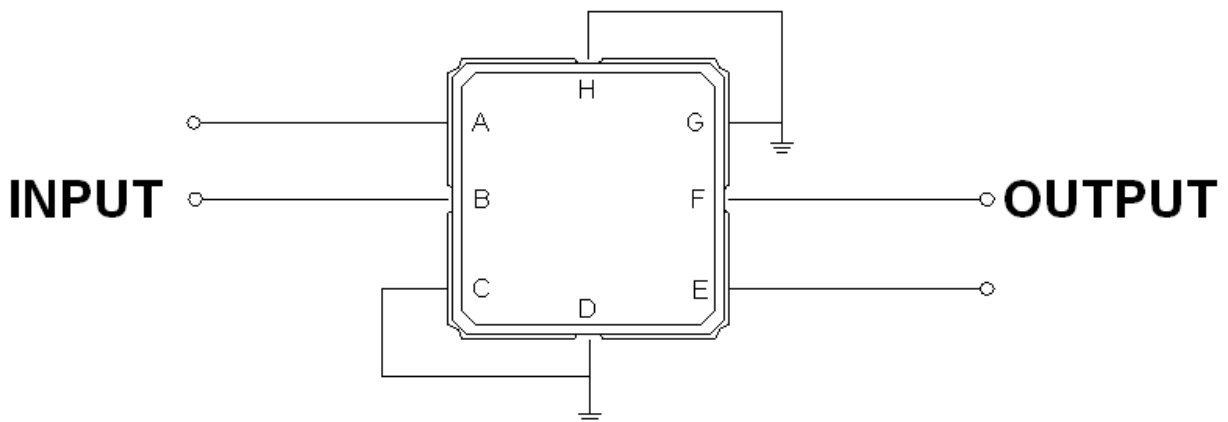
Mechanical Dimensions (mm)



Pin Description	
C, D, G, H	Ground
A, B	Balanced In
E, F	Balanced Out



Test Circuit



Source Impedance: 100 Ω

Load Impedance: 100 Ω

**Maximum Ratings**

Parameters Description	Unit	Minimum	Typical	Maximum
Operating Temperature Range	°C	-40	-	+85
Storage Temperature Range	°C	-40	-	+85
Maximum DC Voltage	V	-	-	3
Maximum Input Power	dBm	-	-	15
Source Impedance (balance ended) ⁽¹⁾	Ω	-	100	-
Load Impedance (balance ended) ⁽¹⁾	Ω	-	100	-

Notes: No Matching Network

Electrical Specification

Parameters Description	Unit	Minimum	Typical	Maximum
Center Frequency (Fo)	MHz	-	1220.0	-
Insertion Loss within 1216.0 ~ 1224.0 MHz	dB	-	3.0	3.5
Amplitude Ripple within 1216.0 ~ 1224.0 MHz	dB _{p-p}	-	0.8	1.3
Group Delay Ripple within 1216.0 ~ 1224.0 MHz	ns _{p-p}	-	15	20
Attenuation				
500.0 ~ 1152.0 MHz	dB	50	55	-
1152.0 ~ 1184.0 MHz	dB	44	47	-
1290.0 ~ 2000.0 MHz	dB	50	55	-



Frequency Performance

