



PRODUCT SPECIFICATION

REV A January 2010


Oscilent Controlled Document

Ordering Code / Part Number	Product Description
808-RF881.5M-K	CDMA, RF-Rx SAW Filter

Specification Contents

- o Mechanical Dimensions
- o Test Circuit
- o Maximum Ratings
- o Electrical Specification
- o Frequency Performance

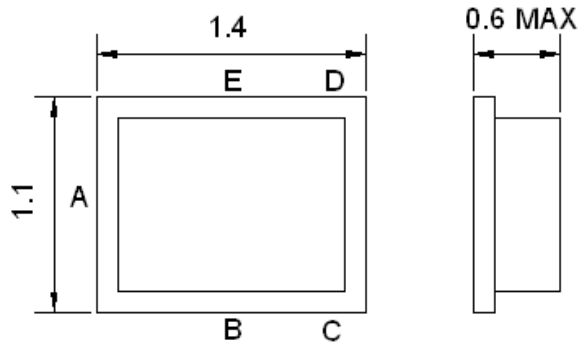
Notes

- o Electrostatic Sensitive Device (ESD) 
- o Avoid excessive ultrasonic exposure
- o Solderability compatible with JEDEC J-STD-020C Pb-free process, 260°C peak reflow temperature
- o This product complies with EU directive 2002/95/EC (RoHS compliance)

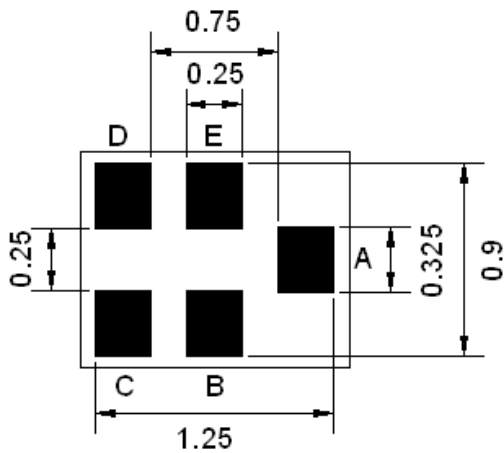




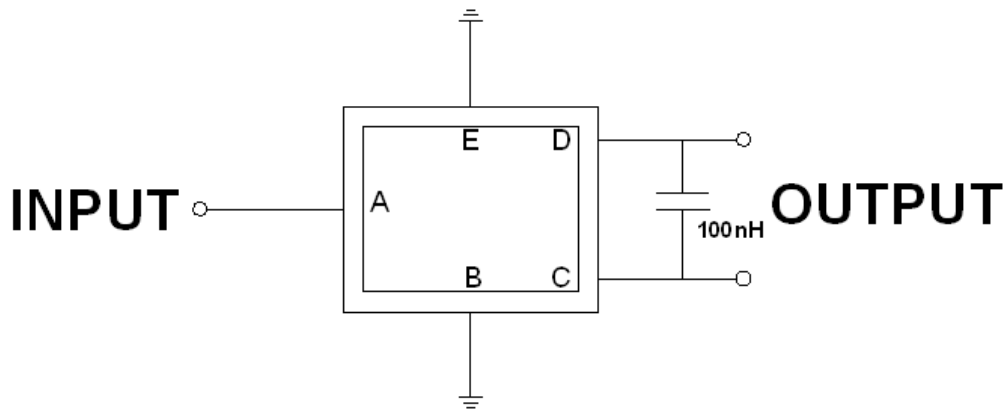
Mechanical Dimensions (mm)



Pin Description	
B, E	Ground
A	In
C, D	Out



Test Circuit



Source Impedance: 50Ω

Load Impedance: 100 Ω



Maximum Ratings

Parameters Description	Unit	Minimum	Typical	Maximum
Operating Temperature Range	°C	-30	-	+85
Storage Temperature Range	°C	-40	-	+85
Maximum DC Voltage	V	-	-	5
Maximum Input Power	dBm	-	-	15
Source Impedance (single ended) ⁽¹⁾	Ω	-	50	-
Load Impedance (balance ended) ⁽¹⁾	Ω	-	100	-

Notes: (1) No Matching Network (Ref. Testing Environment Circuit as shown above).

Electrical Specification

Parameters Description	Unit	Minimum	Typical	Maximum
Center Frequency (Fo)	MHz	-	881.5	-
Insertion Loss within 869.0~894.0MHz	dB	-	1.7	2.2
Amplitude Ripple within 869.0~894.0MHz	dB _{p-p}	-	0.5	1.3
Attenuation:				
D.C ~ 824.0 MHz	dB	50	65	-
824.0 ~ 849.0 MHz	dB	45	57	-
915.0 ~ 960.0 MHz	dB	23	29	-
960.0 ~ 3000.0 MHz	dB	50	59	-
3000.0 ~ 6000.0 MHz	dB	45	49	-
VSWR within 869.0~894.0MHz	-	-	1.7	2.1



Frequency Performance

