



# PRODUCT SPECIFICATION

REV A January 2010

Oscilent Controlled Document

Ordering Code / Part Number	Product Description
802-RF868.6M-E	Wireless, RF SAW Filter

## Specification Contents

- o Mechanical Dimensions
- o Test Circuit
- o Maximum Ratings
- o Electrical Specification
- o Frequency Performance

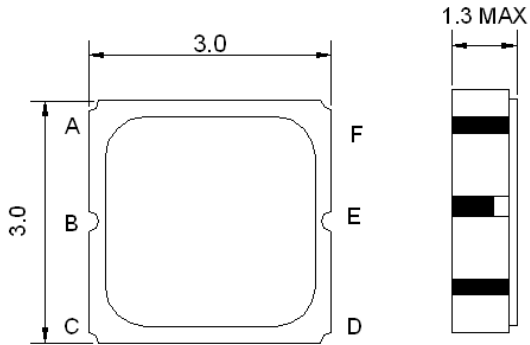
## Notes

- o Electrostatic Sensitive Device (ESD) 
- o Avoid excessive ultrasonic exposure
- o Solderability compatible with JEDEC J-STD-020C Pb-free process, 260°C peak reflow temperature
- o This product complies with EU directive 2002/95/EC (RoHS compliance)

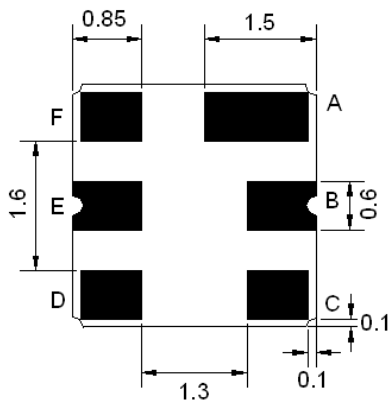




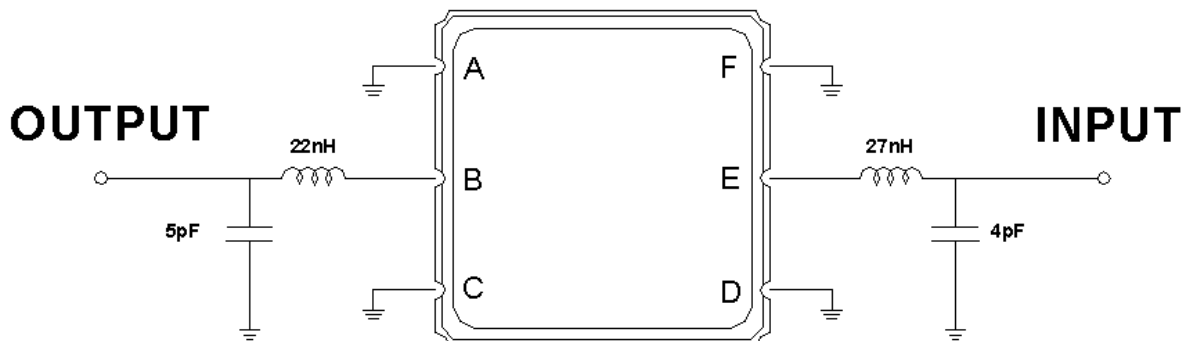
## Mechanical Dimensions (mm)



Pin Description	
A, C, D, F	Ground
E	In
B	Out



## Test Circuit





## Maximum Ratings

Parameters Description	Unit	Minimum	Typical	Maximum
Operating Temperature Range	°C	-40	-	+95
Storage Temperature Range	°C	-45	-	+95
Maximum DC Voltage	V	-	6	-
Maximum Input Power	dBm	-	5	-
Source Impedance (Single ended) <sup>(1)</sup>	Ω	-	50	-
Load Impedance (Single ended) <sup>(1)</sup>	Ω	-	50	-

Notes: With Matching Network

## Electrical Specification

Parameters Description	Unit	Minimum	Typical	Maximum
Center Frequency (Fo)	MHz	-	868.6	-
Minimum Insertion Loss within 868.0~869.2MHz	dB	-	2.7	3.4
Amplitude Ripple within 868.0~869.2MHz	dB <sub>p-p</sub>	-	2.0	3.0
Absolute Attenuation:				
10.0 ~ 820.0 MHz	dB	40	50	-
820.0 ~ 850.0 MHz	dB	34	44	-
850.0 ~ 859.0 MHz	dB	30	35	-
859.0 ~ 864.0 MHz	dB	18	20	-
864.0 ~ 866.6 MHz	dB	12	14	-
871.0 ~ 874.0 MHz	dB	11	20	-
874.0 ~ 890.0 MHz	dB	18	20	-
890.0 ~ 950.0 MHz	dB	34	45	-
950.0 ~ 2500.0 MHz	dB	45	55	-



### Frequency Performance

