



REV A January 2010

Oscilent Controlled Document

Ordering Code / Part Number	Product Description
802-RF947.5M-A	GSM, RF SAW Filter

Specification Contents

- o Mechanical Dimensions
- o Test Circuit
- o Maximum Ratings
- o Electrical Specification
- o Frequency Performance
- o VSWR
- o Smith Chart

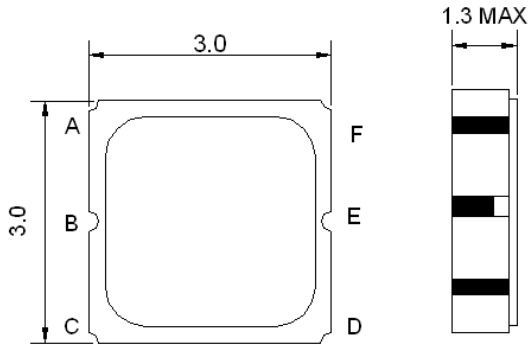
Notes

- o Electrostatic Sensitive Device (ESD) 
- o Avoid excessive ultrasonic exposure
- o Solderability compatible with JEDEC J-STD-020C Pb-free process, 260°C peak reflow temperature
- o This product complies with EU directive 2002/95/EC (RoHS compliance)

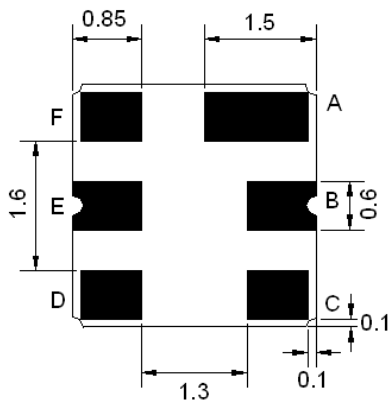




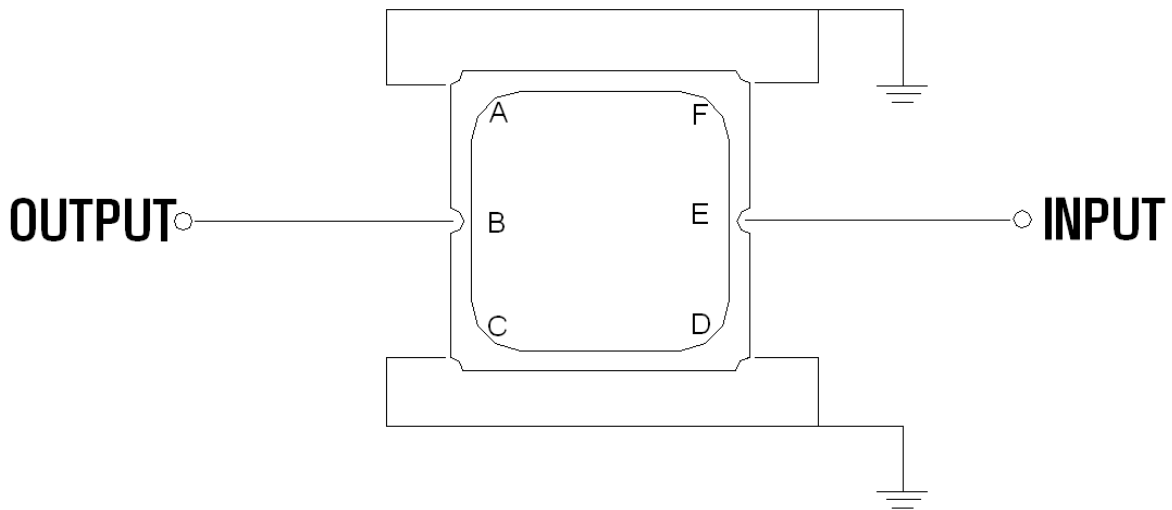
Mechanical Dimensions (mm)



Pin Description	
A, C, D, F	Ground
E	In
B	Out



Test Circuit



Source and Load Impedance: 50 Ω



Maximum Ratings

Parameters Description	Unit	Minimum	Typical	Maximum
Operating Temperature Range	°C	-30	-	+85
Storage Temperature Range	°C	-40	-	+85
Maximum DC Voltage	V	-	-	5
Maximum Input Power	dBm	-	-	15
Source Impedance (single ended) ⁽¹⁾	Ω	-	50	-
Load Impedance (single ended) ⁽¹⁾	Ω	-	50	-

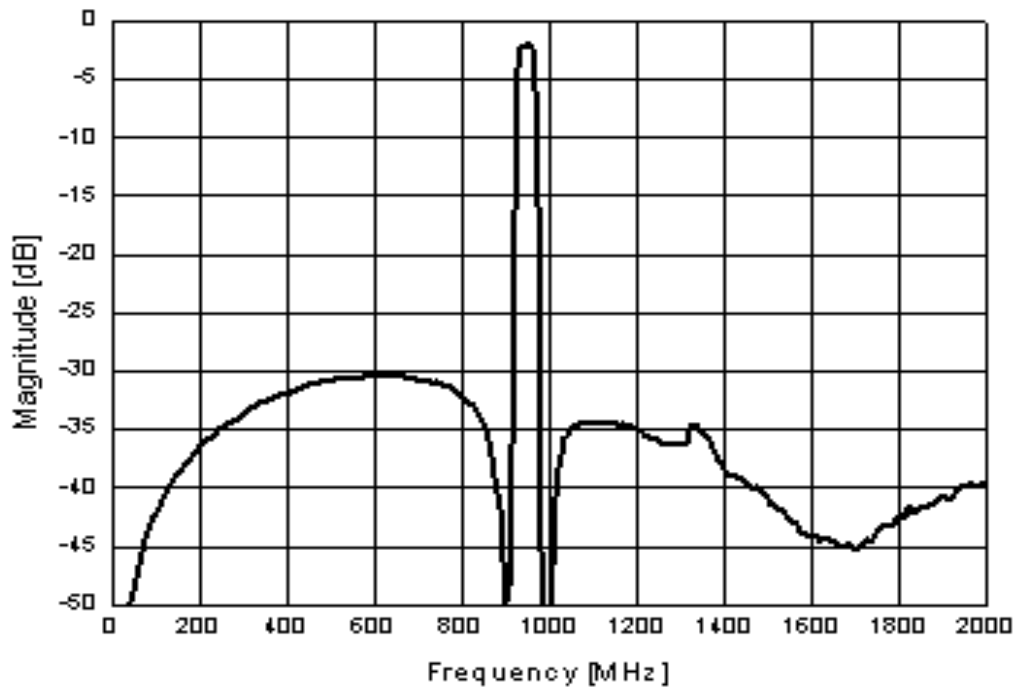
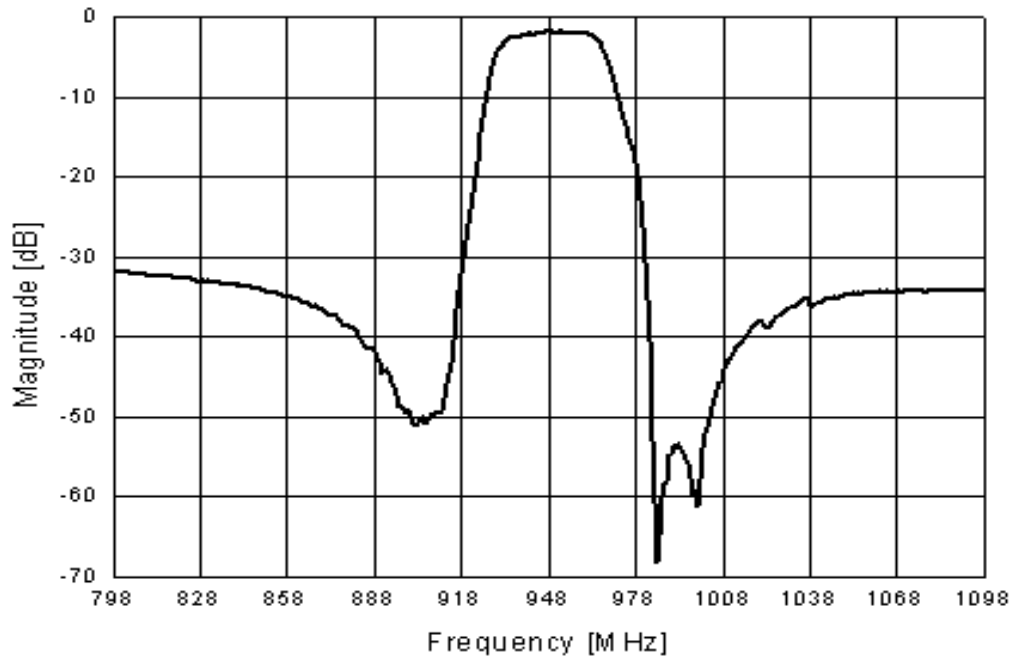
Notes: No Matching Network (Ref. Testing Environment Circuit as shown above).

Electrical Specification

Parameters Description	Unit	Minimum	Typical	Maximum
Center Frequency (Fo)	MHz	-	947.5	-
Insertion Loss 935~960 MHz	dB	-	2.6	3.5
Amplitude Ripple within 935~960 MHz	dB _{p-p}	-	0.9	1.5
Attenuation:				
D.C. ~ 870 MHz	dB	25	30	-
870 ~ 915 MHz	dB	30	35	-
980 ~ 985 MHz	dB	20	25	-
985 ~ 1025MHz	dB	30	37	-
1025 ~ 1500 MHz	dB	28	34	-
1500 ~ 2000 MHz	dB	30	38	-
VSWR (935~960 MHz)	-	-	2.1	2.5

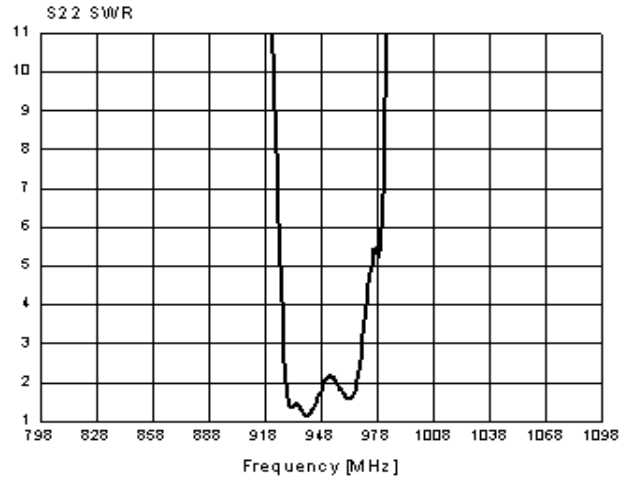
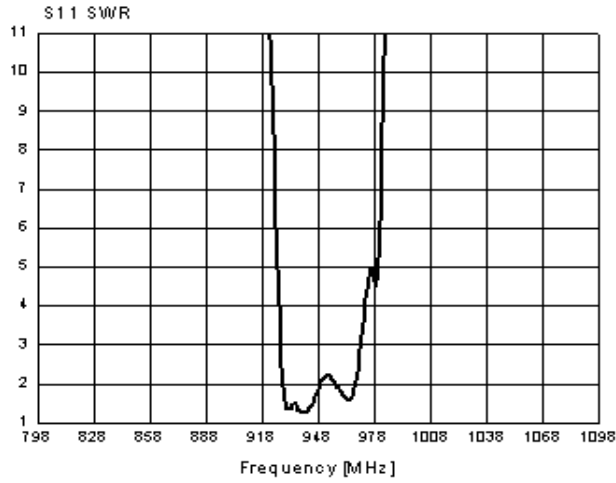


Frequency Performance

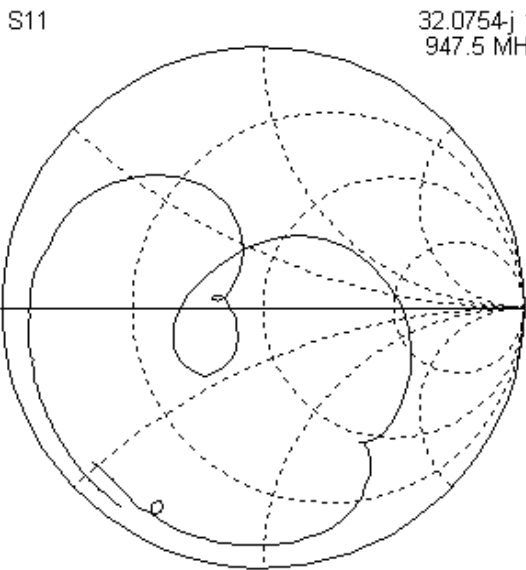




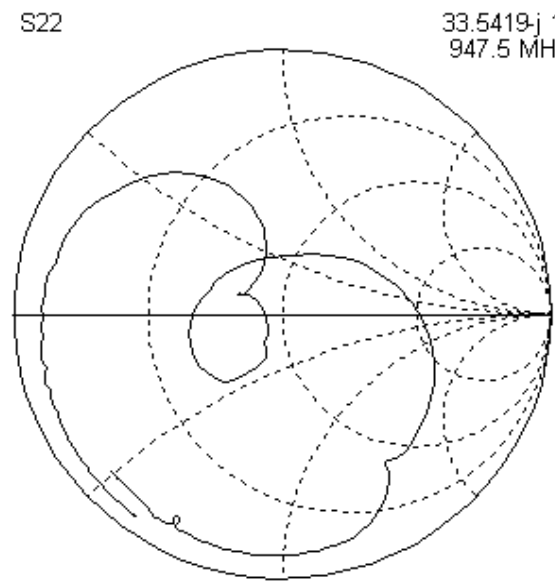
VSWR



Smith Chart



32.0754-j 16.8397
947.5 MHz



33.5419-j 17.2444
947.5 MHz