



# PRODUCT SPECIFICATION

REV A January 2010


Oscilent Controlled Document

Ordering Code / Part Number	Product Description
802-RF448.0M-A	Wireless, RF SAW Filter

## Specification Contents

- o Mechanical Dimensions
- o Test Circuit
- o Maximum Ratings
- o Electrical Specification
- o Frequency Performance

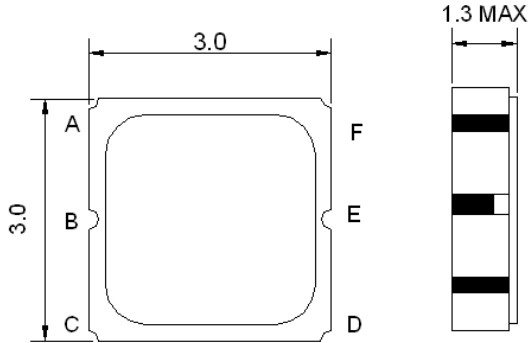
## Notes

- o Electrostatic Sensitive Device (ESD) 
- o Avoid excessive ultrasonic exposure
- o Solderability compatible with JEDEC J-STD-020C Pb-free process, 260°C peak reflow temperature
- o This product complies with EU directive 2002/95/EC (RoHS compliance)

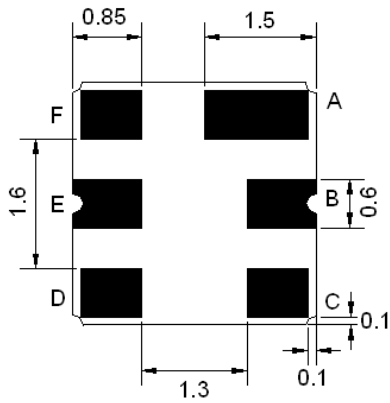




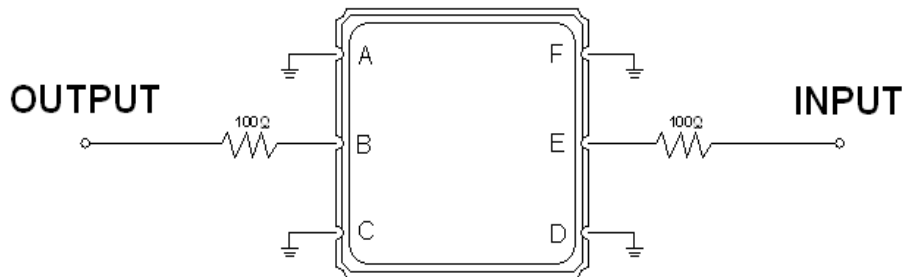
**Mechanical Dimensions (mm)**



Pin Description	
A, C, D, F	Ground
E	In
B	Out



**Test Circuit**



Source and Load Impedance: 50 Ω



## Maximum Ratings

Parameters Description	Unit	Minimum	Typical	Maximum
Operating Temperature Range	°C	-30	-	+85
Storage Temperature Range	°C	-40	-	+85
Maximum DC Voltage	V	-	-	5
Maximum Input Power	dBm	-	-	15
Source Impedance (single ended) <sup>(1)</sup>	Ω	-	150	-
Load Impedance (single ended) <sup>(1)</sup>	Ω	-	150	-

(1) With Matching Network (Ref. Testing Circuit as shown above).

## Electrical Specification

Parameters Description	Unit	Minimum	Typical	Maximum
Center Frequency (Fo)	MHz	-	448.0	-
Insertion Loss within 446.0 ~ 450.0 MHz	dB	-	2.6	3.2
Amplitude Ripple within 446.0 ~ 450.0 MHz	dB <sub>p-p</sub>	-	0.5	1.5
Attenuation:				
Fo-200.0 ~ Fo-60.0 MHz	dB	50	50	-
Fo+42.8 ~ Fo+200.0 MHz	dB	50	55	-



## Frequency Performance

