



PRODUCT SPECIFICATION

REV O Dec 01 2016

Oscilent Controlled Document

Series Number	Product Description
1131	MEMS Oscillator Ultra Low Power 32.768 kHz 1.5x0.8mm

Contents

- o Part Number Builder
- o Pin Description
- o Package Size and Recommended Land Pattern
- o Electrical Specifications

Features

- o Ultra-low power: $<1 \mu\text{A}$
- o Internal filtering eliminates external Vdd bypass capacitors
- o Small package
- o RoHS Compliant / Pb Free

Application

- o Mobile Phones
- o RTC Reference Clock
- o Video Cams
- o Wearable Technologies





Series Number
1131

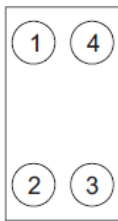
Dec 01 2016 Rev O

MEMS Oscillator Ultra Low Power 32.768 kHz 1.5x0.8mm

Part Number Builder

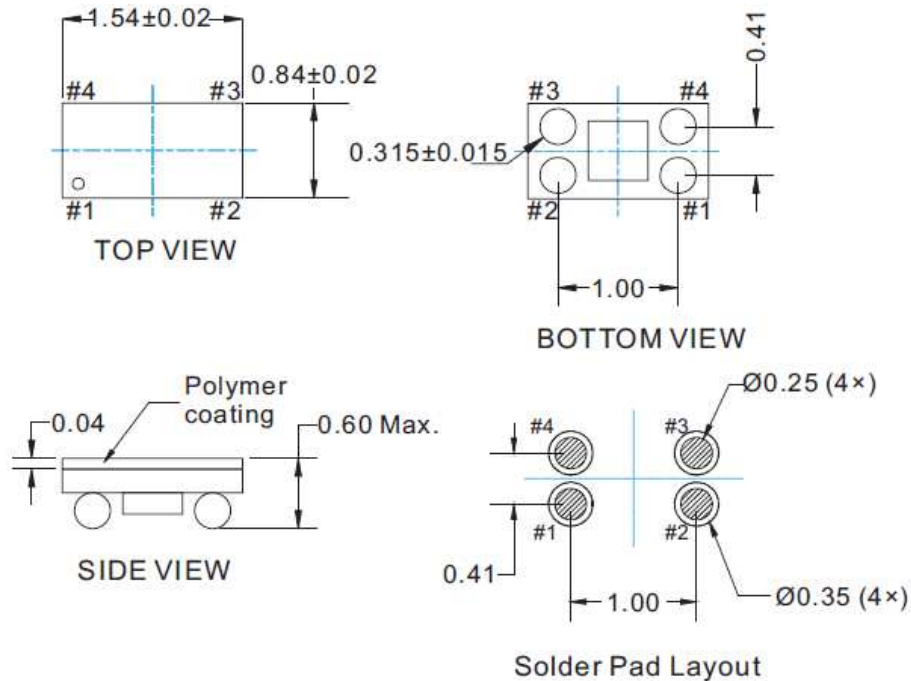
Series Number	Select Frequency	Supply Voltage	Operating Temperature	Pin 1 Function	Packaging
1131 –	32.768K	–		– GD	–
	Frequency	7 = 3.0V 6 = 2.5V 5 = 5.0V 3 = 3.3V 2 = 2.8V 1 = 1.8V	D = -20~+70°C N = -40~+85°C	GD = Ground	TR = Tape +Reel Blank = Bulk

Pin Description



Pin	Function
1	Ground
2	CLK Out
3	Vdd
4	Ground

Package Size and Recommended Land Pattern



**Electrical Specifications**

Parameters Description	
Frequency Output	32.768kHz
Frequency Tolerance	±10ppm
Operating Temperature Range	-20~+70°C / -40~+85°C
Supply Voltage	1.5V-3.63V
Frequency Stability	±75ppm (-10~+70°C)
Core Operating Current	0.9µA Typ.
Power-Supply Ramp	100ms Max.
Duty Cycle	48-52%
Rise/ Fall Time	200ns Max.
Output High Voltage	90% VDD
Output Low Voltage	10%VDD
Startup Time	180ms Typ.
Maximum Output Drive	50pF Max.
Period Jitter	35nsRMS Typ.
Storage Temperature Range	-40~+105°C
25°C Aging	±1ppm Max./Year