



**Data Sheet**



Product Category: IF SAW Filter

Part Number	Package	Application	Last Modified
813-SL140.0M-08	13.3 x 6.5 SMD	Base Station & Repeater	Apr 18, 2007

**TYPE :**

140.0 MHz Bandpass Filter  
 Low Loss  
 Narrow Bandwidth



**PART NUMBER :**

**813-SL140.0M-08**

**OPERATING CONDITIONS / ELECTRICAL CHARACTERISTICS**

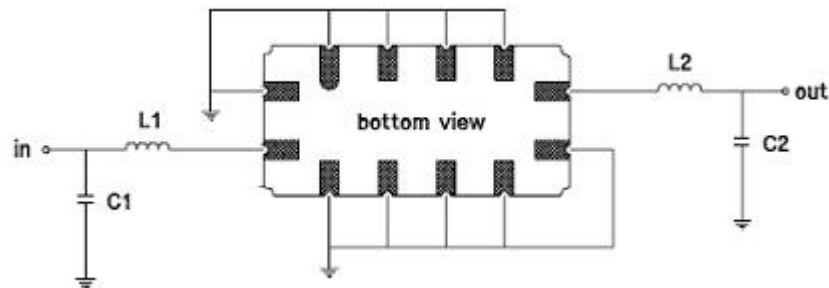
PARAMETERS	Minimum	Typical	Maximum	Units
Center Frequency	139.6	140.0	140.4	MHz
Insertion Loss at Fo	-	8	10	dB
Source Impedance (single ended)*	-	50	-	ohm
Load Impedance (single ended)*	-	50	-	ohm
Bandwidth at -1.0 dB	7.6	7.9	-	MHz
Bandwidth at -3.0 dB	8.5	8.8	-	MHz
Bandwidth at -40.0 dB	-	13.0	13.8	MHz
Relative Attenuation:	-	-	-	-
from 10 to 133 MHz	45	-	-	dB
from 147 to 280 MHz	45	-	-	dB
Amplitude Ripple within fo +/- 3.2MHz	-	0.6	1.0	dBp-p
Group Delay Variation (Fo +/- 3.2MHz)	-	60	100	nsec
Absolute Delay at Fo	-	1.0	-	µsec
In/Out Return Loss at Fo	-	-	-	dB

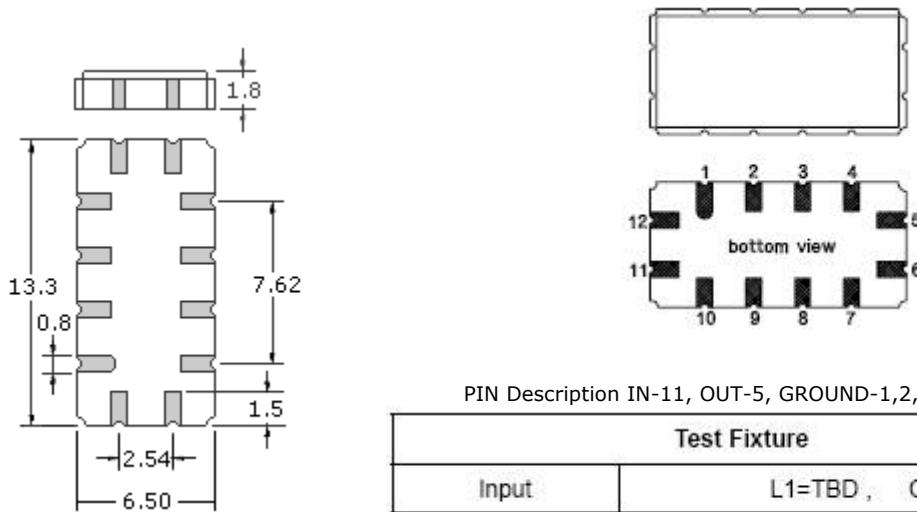
\*With Matching Network (Reference Testing Environment Circuit as shown) Modify Impedance Values as necessary.

**PACKAGE OUTLINE**

(mm)

**TEST FIXTURE**



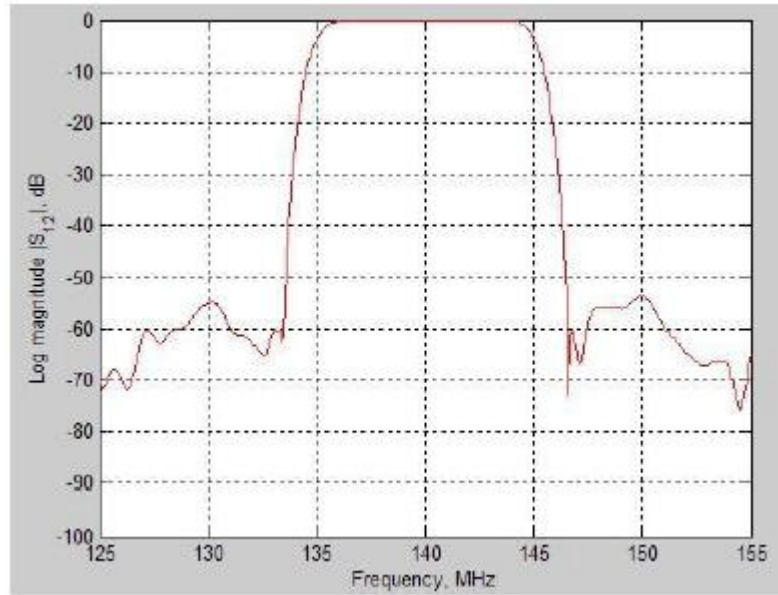


PIN Description IN-11, OUT-5, GROUND-1,2,3,4,6,7,8,9,10,12

Test Fixture	
Input	L1=TBD , C1=TBD
Output	L2=TBD , C2=TBD

w

### FREQUENCY RESPONSE



**Oscilent Corporation** - CALL **949.252.0522**  
 18195 East McDermott Street , Building D , Irvine , CA 92614 , USA  
 Fax: 949.252.0599 , E-Mail: Sales@Oscilent.com

**Part No.:** 813-SL140.0M-08