



Data Sheet



Product Category: IF SAW Filter

Part Number	Package	Application	Last Modified
835-IF70.0M-SA	35 x 12.8 Thru Hole	70.0MHz Bandpass Filter	Jan. 01, 2007

TYPE :

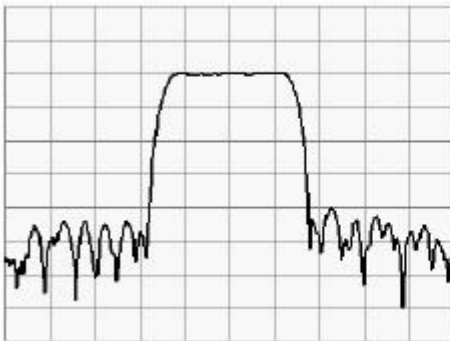
70.0 MHz Bandpass Filter

1.26 MHz Bandwidth

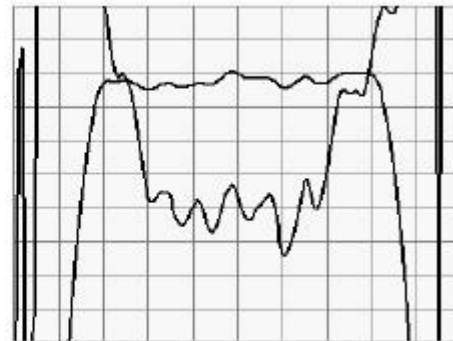
PART NUMBER :

835-IF70.0M-SA

FREQUENCY CHARACTERISTICS



Horizontal : 0.5 MHz/Div
Vertical : 10 dB/Div

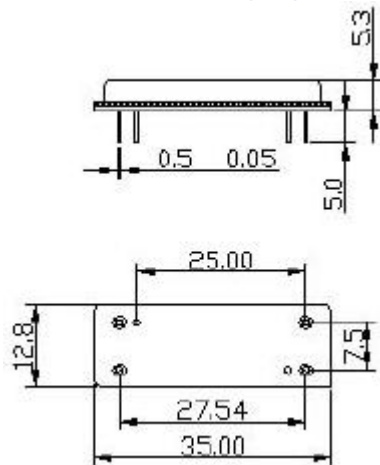
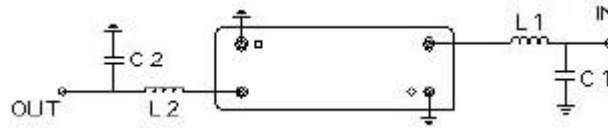


Horizontal : 0.2 MHz/Div
Vertical : 1.0 dB/Div
Vertical : 100 ns/Div

OPERATING CONDITIONS / ELECTRICAL CHARACTERISTICS

PARAMETERS	Minimum	Typical	Maximum	Units
Center Frequency	69.97	70.0	70.03	MHz
Insertion Loss	-	20.0	22.0	dB
1 dB Bandwidth	1.26	1.29	-	MHz
40 dB Bandwidth	1.8	1.78	-	MHz
Attenuation at Fo+/-0.9MHz	40	43	-	dB
Attenuation at Fo+/-1.25MHz	40	45	-	dB
Attenuation at Fo+/-1.7MHz	40	45	-	dB
Passband Ripple @ Fo+/-0.55MHz	-	0.7	1.0	dB
Phase Linearity	-	4.2	5.0	rms
Absolute Delay	-	3.45	-	µsec
Ultimate Rejection	40	50	-	dB
Substrate Material	-	Qz	-	-
Ambient Temperature	-	25	-	C

* Custom SAW IF Filters available. Contact Oscilent for assistance.

PACKAGE OUTLINE (mm)**TEST FIXTURE**

L1=220 nH L2=220 nH
 C1=51 pF C2=56 pF
 Source Impedance = 50 ohms
 Load Impedance = 50 ohms

Oscilent Corporation - CALL **949.252.0522**

Part No.: 835-IF70.0M-SA

18195 East McDermott Street, Building D, Irvine, CA 92614, USA
 Fax: 949.252.0599, E-Mail: Sales@Oscilent.com