



# PRODUCT SPECIFICATION

REV A January 2011

Oscilent Controlled Document

Ordering Code / Part Number	Product Description
835-IF44.0M-E	44.0 MHz IF SAW Filter 5.40 MHz Bandwidth

## Specification Contents

- o Mechanical Dimensions
- o Test Circuit
- o Maximum Ratings
- o Electrical Specification
- o Frequency Response

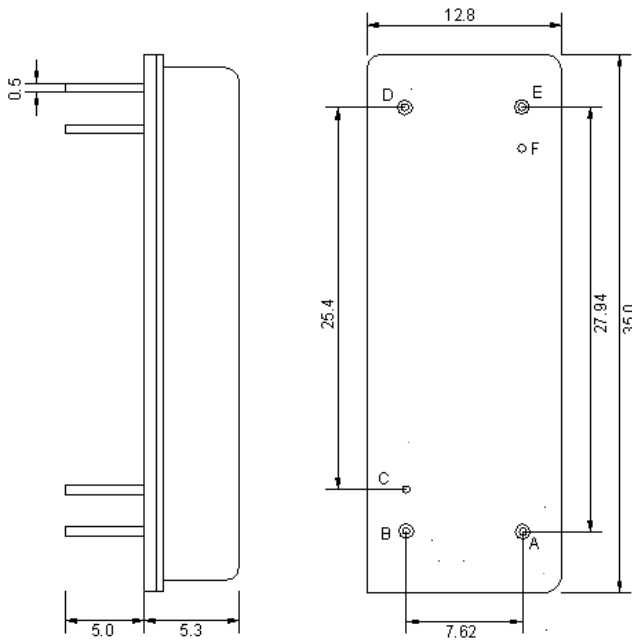
## Notes

- o Electrostatic Sensitive Device (ESD) 
- o Avoid excessive ultrasonic exposure
- o Solderability compatible with JEDEC J-STD-020C Pb-free process, 260°C peak reflow temperature
- o This product complies with EU directive 2002/95/EC (RoHS compliance)



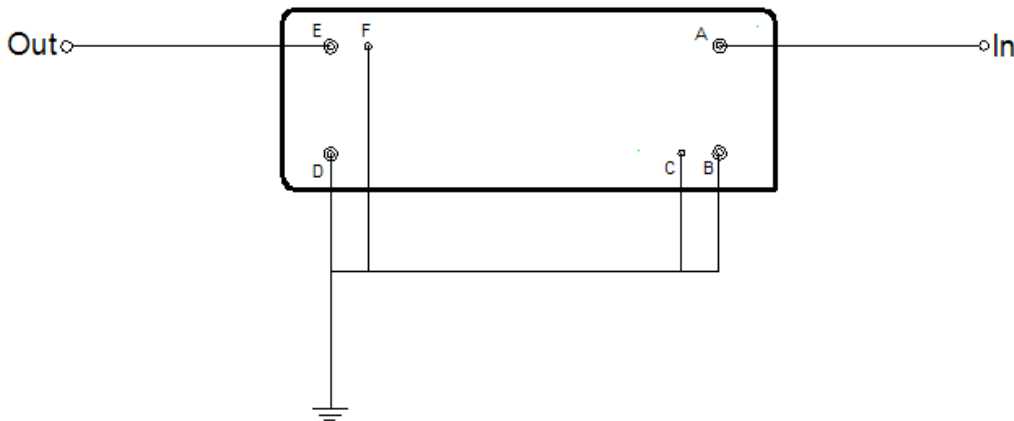


**Mechanical Dimensions (mm)**



Pin Description	
B, C, D, F	Ground
A	In
E	Out

**Test Circuit**



Source & Load Impedance: 50  $\Omega$



## Maximum Ratings

Parameters Description	Unit	Minimum	Typical	Maximum
Operating Temperature Range	°C	-30	-	80
Storage Temperature Range	°C	-40	-	85
Maximum DC Voltage	V	-	-	10
Maximum Input Power	dBm	-	-	10
Source Impedance (single ended) <sup>(1)</sup>	Ω	-	50	-
Load Impedance (single ended) <sup>(1)</sup>	Ω	-	50	-

Notes: With Matching Network (Ref. Testing Environment Circuit as shown above).  
Those impedances could be modified with different impedance values and/or structures, if necessary.

## Electrical Specification

Parameters Description	Unit	Minimum	Typical	Maximum
Center Frequency (Fo)	MHz	43.95	44.0	44.05
Insertion Loss at Fo	dB	-	24.5	25.5
Amplitude Ripple Variation	dB <sub>p-p</sub>	-	0.5	0.8
Group Delay Variation	nsec	-	65	100
Absolute Delay at Fo	μsec	-	4.07	-
Temperature Coefficient	ppm/°C	-	-94	-
Bandwidth at -1.0 dB	MHz	5.4	5.5	-
Bandwidth at -3.0 dB	MHz	5.6	5.68	-
Bandwidth at -40.0 dB	MHz	-	6.45	6.6
Ultimate Rejection	dB	45	50	-



## Frequency Response

