



PRODUCT SPECIFICATION

REV A January 2011

Oscilent Controlled Document

Ordering Code / Part Number	Product Description
835-IF38.9M-E	38.9 MHz IF SAW Filter

Specification Contents

- o Mechanical Dimensions
- o Test Circuit
- o Maximum Ratings
- o Electrical Specification
- o Frequency Response

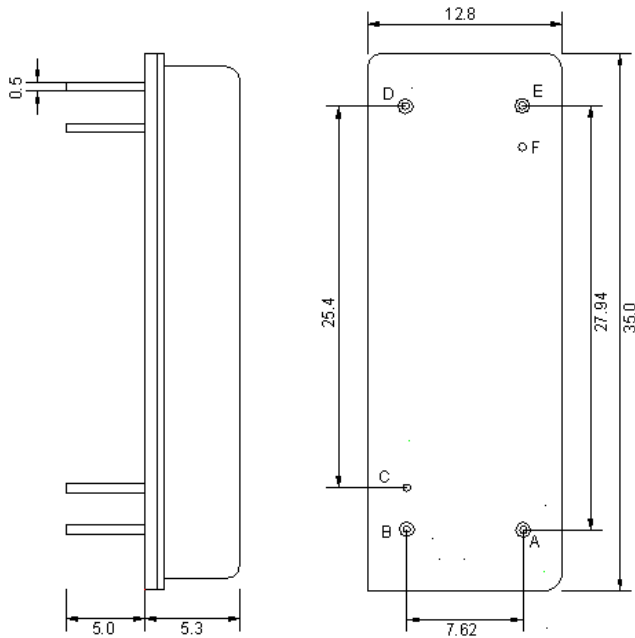
Notes

- o Electrostatic Sensitive Device (ESD) 
- o Avoid excessive ultrasonic exposure
- o Solderability compatible with JEDEC J-STD-020C Pb-free process, 260°C peak reflow temperature
- o This product complies with EU directive 2002/95/EC (RoHS compliance)





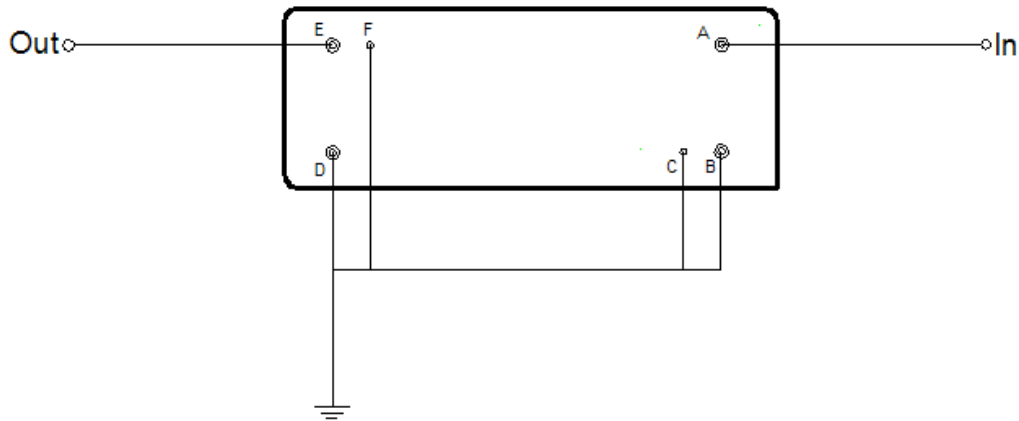
Mechanical Dimensions (mm)



Pin Description

A, B, C, D, F	Ground
A	Input
E	Output

Test Circuit



Source & Load Impedance: 50 Ω



Maximum Ratings

Parameters Description	Unit	Minimum	Typical	Maximum
Operating Temperature Range	°C	-30	-	80
Storage Temperature Range	°C	-40	-	85
Maximum DC Voltage	V	-	-	10
Maximum Input Power	dBm	-	-	10
Source Impedance (single ended) ⁽¹⁾	Ω	-	50	-
Load Impedance (single ended) ⁽¹⁾	Ω	-	50	-

Notes: With Matching Network (Ref. Testing Environment Circuit as shown above).
Those impedances could be modified with different impedance values and/or structures, if necessary.

Electrical Specification

Parameters Description	Unit	Minimum	Typical	Maximum
Nominal Frequency (Fo)	MHz	-	38.9	-
Insertion Loss at Fo	dB	-	27.5	30.0
Amplitude Ripple Variation (34.2~39.4 MHz)	dB _{p-p}	-	0.5	1.0
Group Delay Variation (smo 1%)	nsec	-	48	60
Absolute Delay at Fo	µsec	-	4.15	4.3
Temperature Coefficient	ppm/°C	-	-	94
Relative Attenuation (Relative to Fo)				
33.40MHz	dB	42	48	-
34.00MHz	dB	-0.5	0.1	1.0
34.10MHz	dB	-0.5	0.1	0.6
39.65MHz	dB	0.5	1.0	1.5
25.00MHz ~ 32.00MHz	dB	50	58	-
32.00MHz ~ 32.65MHz	dB	48	58	-
32.65MHz ~ 33.30MHz	dB	45	55	-
40.15MHz ~ 41.20MHz	dB	45	54	-
41.20MHz ~ 45.00MHz	dB	48	55	-
Reflected wave signal suppression	dB	50	58	-



Frequency Response

