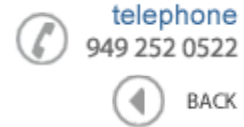




Data Sheet



Product Category: IF SAW Filter

Part Number	Package	Application	Last Modified
835-IF160.0M-J	35.0 x 12.8 Thru Hole	Base Station & Repeater	Jan. 01, 2007

TYPE :

160.0 MHz Bandpass Filter

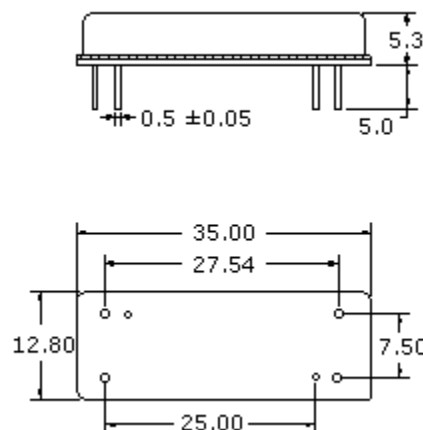
PART NUMBER :

835-IF160.0M-J**OPERATING CONDITIONS / ELECTRICAL CHARACTERISTICS**

PARAMETERS	Minimum	Typical	Maximum	Units
Center Frequency (Fo)	159.9	160.0	160.1	MHz
Insertion Loss at Fo	-	28.0	30.0	dB
Storage Temperature	-40	-	+85	°C
Operating Temperature	-30	-	+70	°C
Source Impedance (single ended)*	-	50	-	ohm
Load Impedance (single ended)*	-	50	-	ohm
Temperature Coefficient	-	-20	-	ppm/°C
Amplitude Ripple (Fo+/-4.375 MHz)	-	0.55	1.0	dBp-p
Bandwidth at 1.0 dB	8.95	9.15	-	MHz
Bandwidth at 3.0 dB	9.25	9.45	-	MHz
Bandwidth at 40.0 dB	-	10.55	10.8	MHz
Ultimate Rejection	50	55	-	dB
Group Delay Variation (Fo+/-4.375 MHz)	-	40	100	ns
Absolute Delay at Fo	-	3.45	-	us

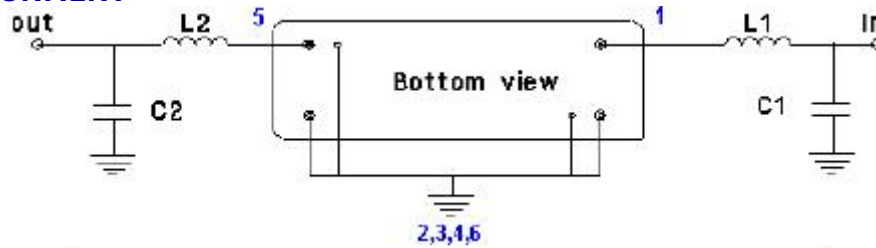
* with Matching Network (Ref. Testing Environment Circuit as shown below). Those impedances could be modified with different impedances values and/or structures, if necessary.

** Custom SAW IF Filters available. Contact Oscilent for assistance.

PACKAGE OUTLINE (mm)

PIN Descriptions: IN-1, OUT 5, GROUND -2,3,4,6,Case

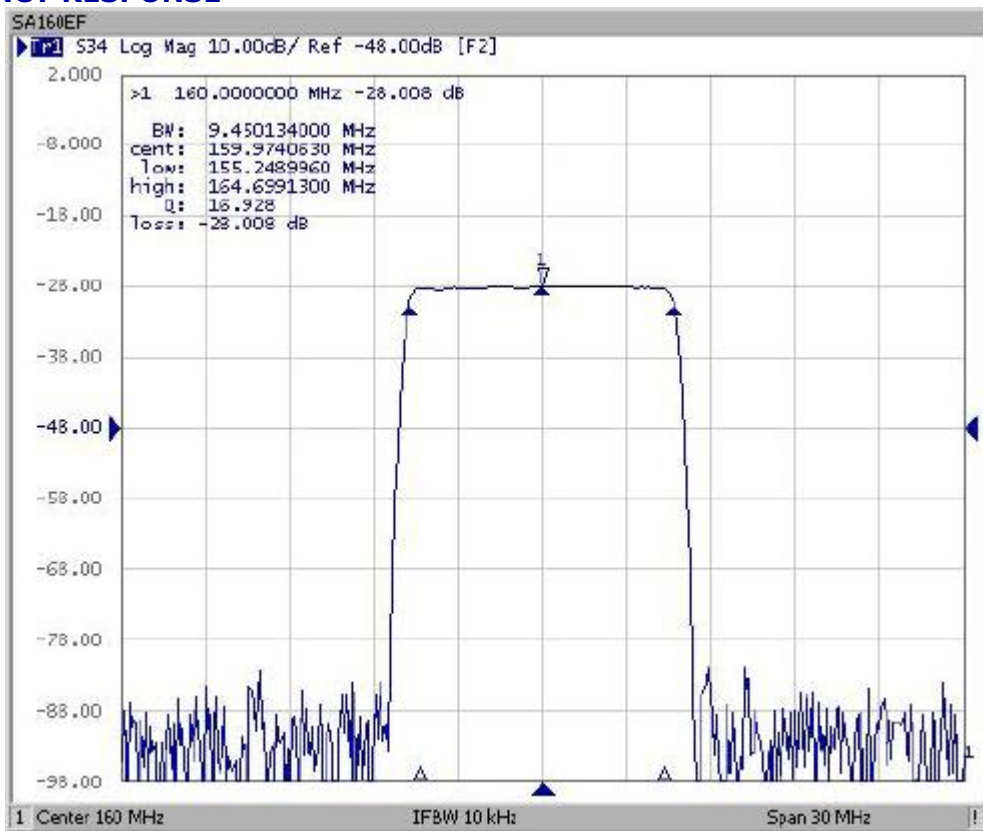
TEST ENVIRONMENT



Test Fixture & Values	
Input	L1=22nH , C1=30pF
Output	L2=22nH , C2=30pF

Source & Load Impedance: 50 ohm

FREQUENCY RESPONSE



Oscilent Corporation - CALL **949.252.0522**

Part No.: 835-IF160.0M-J

18195 East McDermott Street , Building D , Irvine , CA 92614 , USA
 Fax: 949.252.0599 , E-Mail: Sales@Oscilent.com