



Data Sheet



Product Category: IF SAW Filter

Part Number	Package	Application	Last Modified
835-IF160.0M-H	35.0 x 12.8 Thru Hole	Base Station & Repeater	Jan. 01, 2007

TYPE :

160.0 MHz Bandpass Filter
4.20 MHz Bandwidth

PART NUMBER :

835-IF160.0M-H



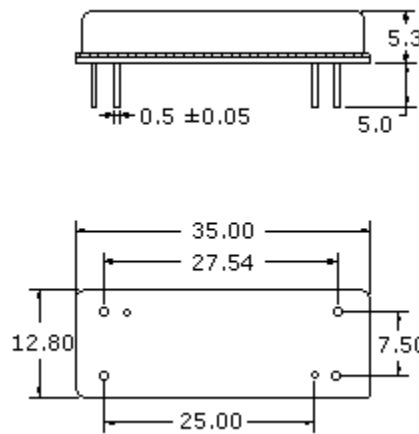
OPERATING CONDITIONS / ELECTRICAL CHARACTERISTICS

PARAMETERS	Minimum	Typical	Maximum	Units
Center Frequency (Fo)	-	160.0	-	MHz
Insertion Loss at Fo	-	22.5	25.0	dB
Bandwidth at 1.0 dB	4.00	4.05	-	MHz
Bandwidth at 3.0 dB	4.20	4.26	-	MHz
Bandwidth at 40.0 dB	-	4.96	5.2	MHz
Passband Ripple	-	0.75	1.0	dB
Group Delay Variation	-	160	300	nsec
Adsolute Delay	-	5.25	-	usec
Substrate Material	-	LN	-	-

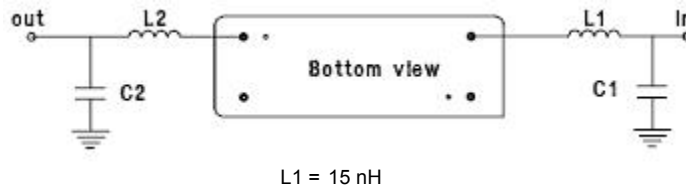
** Custom SAW IF Filters available. Contact Oscilent for assistance.

** It need to PKG ground for more Excellent Spurious levels.

PACKAGE OUTLINE (mm)



TEST ENVIRONMENT



L2 = 15 nH

C1 = 43 pF

C2 = 36 pF

Source & Load Impedance: 50 ohm

Oscilent Corporation - CALL **949.252.0522**

Part No.: 835-IF160.0M-H

18195 East McDurrnott Street , Building D , Irvine , CA 92614 , USA

Fax: 949.252.0599 , E-Mail: Sales@Oscilent.com

[Crystal Oscillators](#) | [Quartz Crystal](#) | [TCXO](#) | [VCXO](#) | [IF SAW Filter](#) | [RF SAW Filter](#) | [Ceramic Resonator](#)
[Crystal Filter](#) | [Ceramic Filter](#) | [SAW Filter / SAW Devices](#) | [Site Map](#)