



PRODUCT SPECIFICATION

REV A January 2011

Oscilent Controlled Document

Ordering Code / Part Number	Product Description
835-IF75.0M-15C	75.0MHz IF SAW Filter 15.40MHz Bandwidth

Specification Contents

- o Mechanical Dimensions
- o Test Circuit
- o Maximum Ratings
- o Electrical Specification
- o Frequency Response
- o Smith Chart
- o VSWR

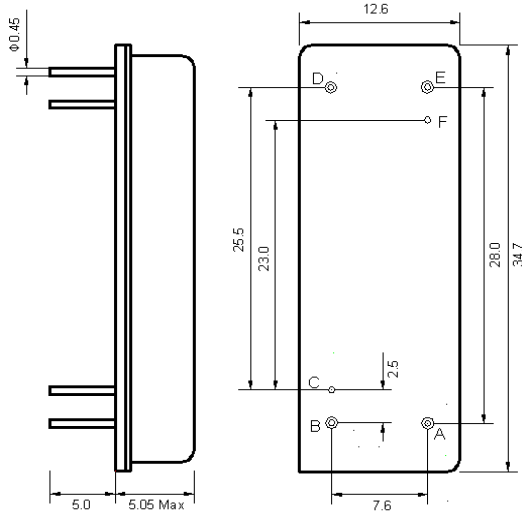
Notes

- o Electrostatic Sensitive Device (ESD) 
- o Avoid excessive ultrasonic exposure
- o Solderability compatible with JEDEC J-STD-020C Pb-free process, 260°C peak reflow temperature
- o This product complies with EU directive 2002/95/EC (RoHS compliance)



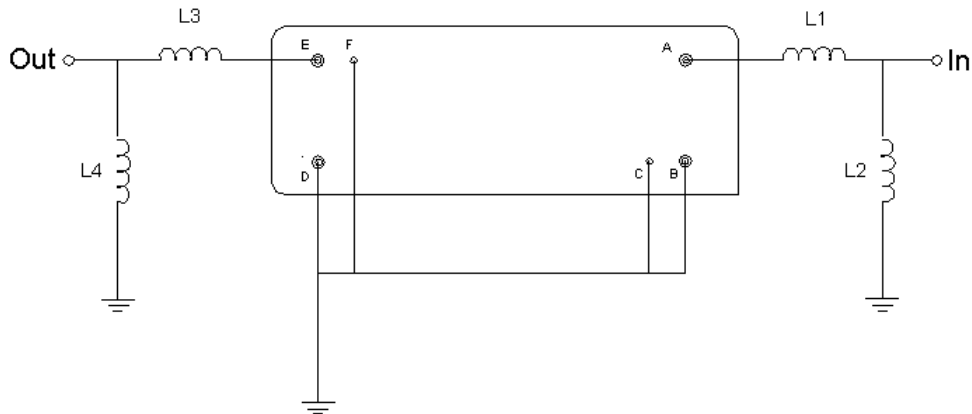


Mechanical Dimensions (mm)



Pin Description	
B, C, D, F	Ground
A	In
E	Out

Test Circuit



Test Fixture & Values	
Input	L1=15nH, L2=220nH
Output	L3=22nH, L4=180nH
Source/Load Impedance	50 Ω

**Maximum Ratings**

Parameters Description	Unit	Minimum	Typical	Maximum
Operating Temperature Range	°C	-	25	-
Storage Temperature Range	°C	-40	-	85
Maximum DC Voltage	V	-	-	10
Maximum Input Power	dBm	-	-	10
Source Impedance (single ended) ⁽¹⁾	Ω	-	50	-
Load Impedance (single ended) ⁽¹⁾	Ω	-	50	-

Notes: Ultimate Rejection; Smoothing ON

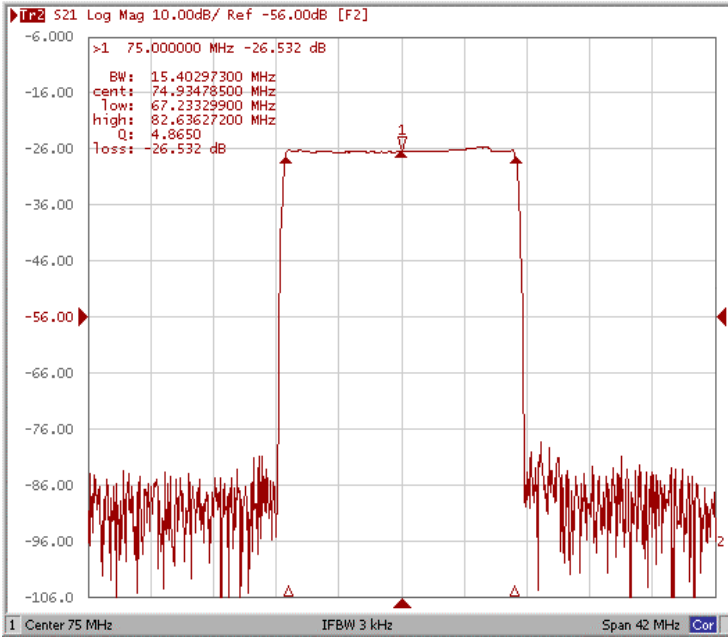
Electrical Specification

Parameters Description	Unit	Minimum	Typical	Maximum
Center Frequency (Fo)	MHz	74.9	75.0	75.1
Insertion Loss at Fo	dB	-	26.5	28.0
Amplitude Ripple within fo ±7.56 MHz	dB _{p-p}	-	0.85	1.0
Group Delay Variation within fo ±7.56 MHz	nsec	-	64	120
Absolute Delay at Fo	μsec	-	3.83	-
Bandwidth at -1.0 dB	MHz	15.20	15.40	-
Bandwidth at -3.0 dB	MHz	-	15.58	-
Bandwidth at -40.0 dB	MHz	-	16.38	-
Bandwidth at -50.0 dB	MHz	-	16.43	16.50
Ultimate Rejection	dB	55	60	-
Temperature Coefficient	ppm/°C	-	-72	-

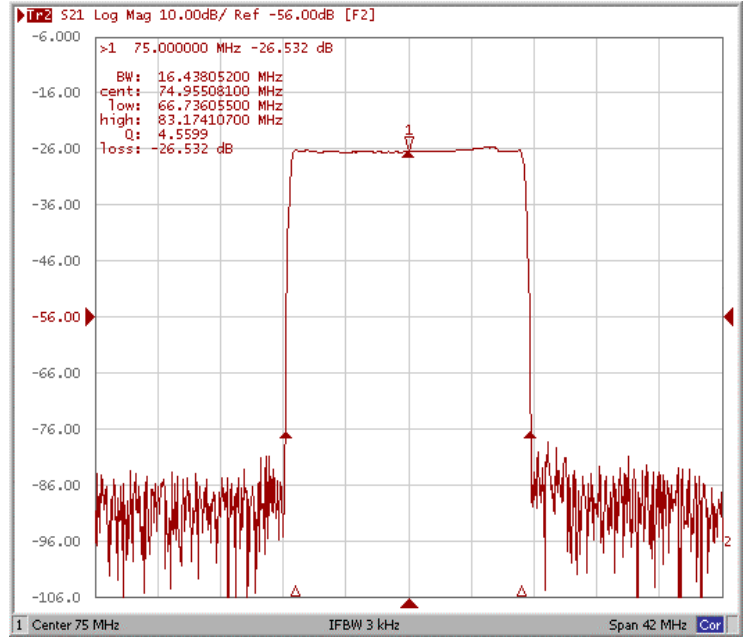


Frequency Response

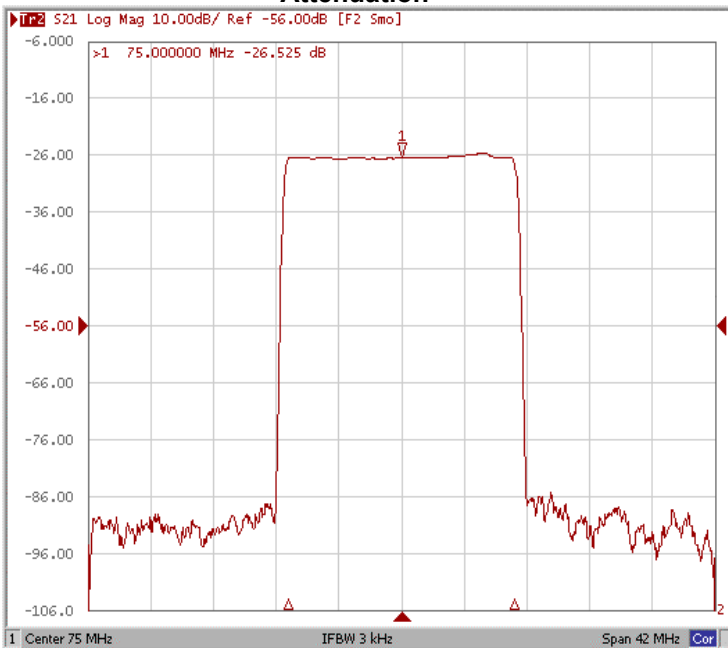
Bandwidth at -1.0 dB



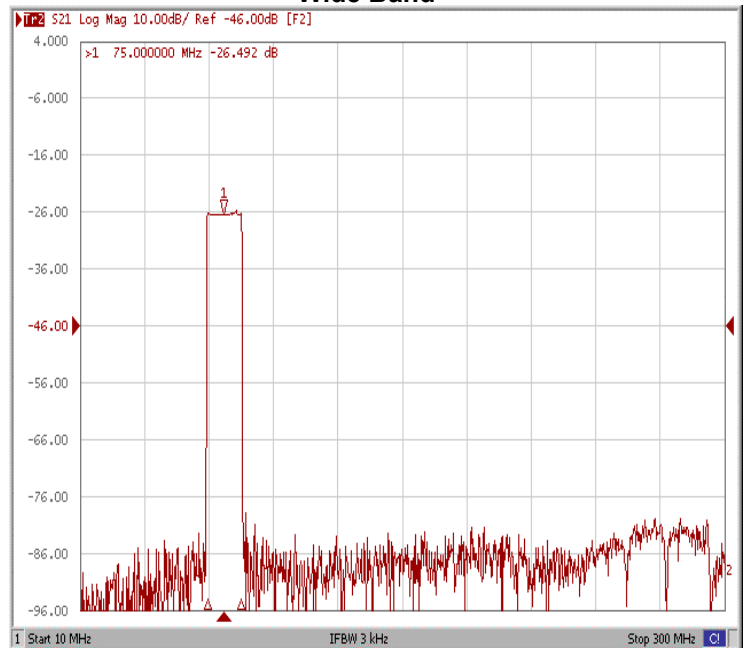
Bandwidth at -50.0 dB



Attenuation

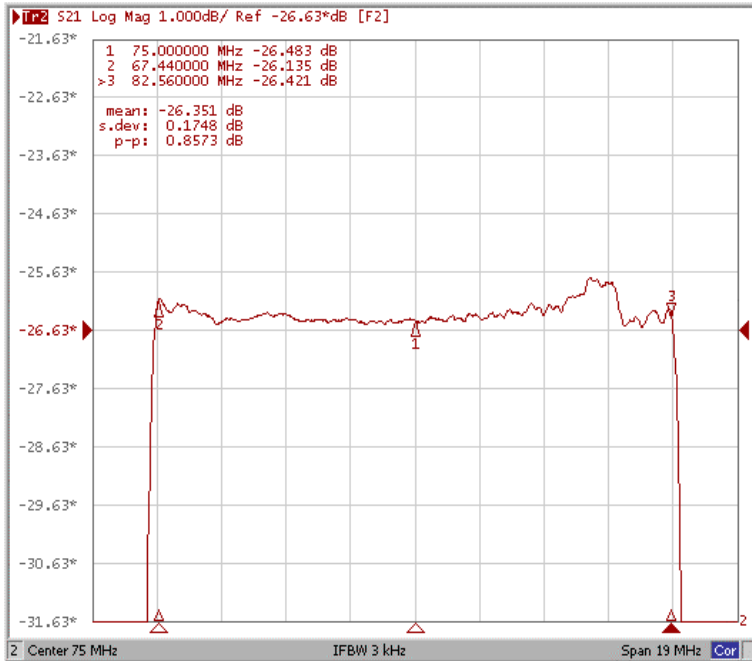


Wide Band

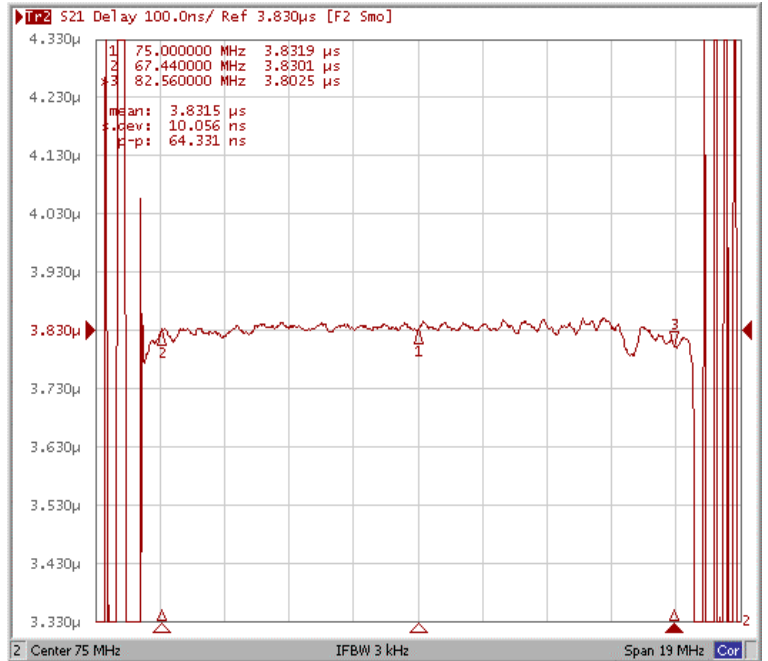




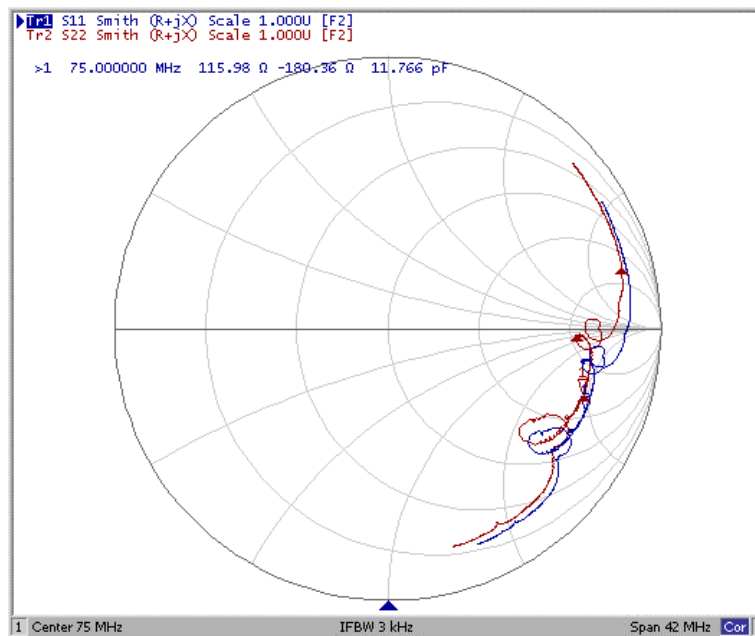
Ripple Variation Fo±7.56MHz



Group Delay Variation Fo±7.56MHz



Smith Chart





VSWR

