



# PRODUCT SPECIFICATION

REV A January 2011


Oscilent Controlled Document

Ordering Code / Part Number	Product Description
835-IF70.0M-100A	70.0 MHz IF SAW Filter 9.96 MHz Bandwidth

## Specification Contents

- o Mechanical Dimensions
- o Test Circuit
- o Maximum Ratings
- o Electrical Specification
- o Frequency Response

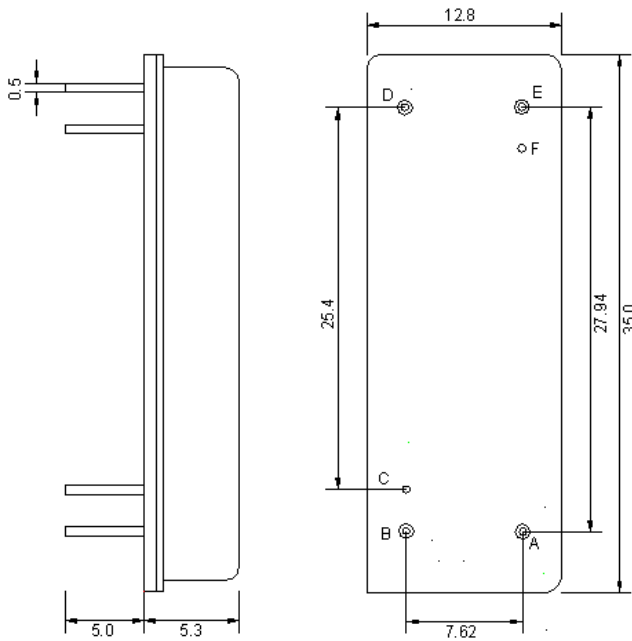
## Notes

- o Electrostatic Sensitive Device (ESD) 
- o Avoid excessive ultrasonic exposure
- o Solderability compatible with JEDEC J-STD-020C Pb-free process, 260°C peak reflow temperature
- o This product complies with EU directive 2002/95/EC (RoHS compliance)



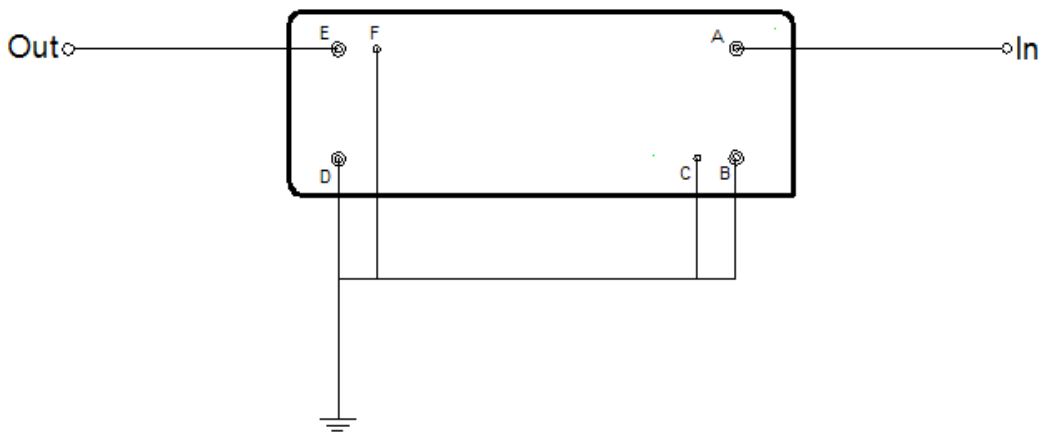


## Mechanical Dimensions (mm)



Pin Description	
B, C, D, F	Ground
A	In
E	Out

## Test Circuit



Source & Load Impedance: 50  $\Omega$

No Matching Required



## Maximum Ratings

Parameters Description	Unit	Minimum	Typical	Maximum
Operating Temperature Range	°C	-30	-	80
Storage Temperature Range	°C	-40	-	85
Maximum DC Voltage	V	-	-	10
Maximum Input Power	dBm	-	-	10
Source Impedance (single ended) <sup>(1)</sup>	Ω	-	50	-
Load Impedance (single ended) <sup>(1)</sup>	Ω	-	50	-

Notes: With Matching Network (Ref. Testing Environment Circuit as shown above).

Those impedances could be modified with different impedance values and/or structures, if necessary.

## Electrical Specification

Parameters Description	Unit	Minimum	Typical	Maximum
Center Frequency (Fo)	MHz	69.92	70.0	70.08
Insertion Loss at Fo	dB	-	22.5	24.0
Amplitude Ripple Variation	dB <sub>p-p</sub>	-	0.65	1.0
Group Delay Variation	nsec	-	75	100
Absolute Delay at Fo	μsec	-	3.2	-
Temperature Coefficient	ppm/°C	-	-72	-
Bandwidth at -1.0 dB	MHz	9.8	9.96	-
Bandwidth at -3.0 dB	MHz	10.0	10.17	-
Bandwidth at -50.0 dB	MHz	-	11.19	11.30
Ultimate Rejection	dB	52	60	-



## Frequency Response

