



PRODUCT SPECIFICATION

REV A January 2011


Oscilent Controlled Document

Ordering Code / Part Number	Product Description
835-IF69.8M-04A	69.8 MHz IF SAW Filter 4.05 MHz Bandwidth

Specification Contents

- o Mechanical Dimensions
- o Test Circuit
- o Maximum Ratings
- o Electrical Specification
- o Frequency Response

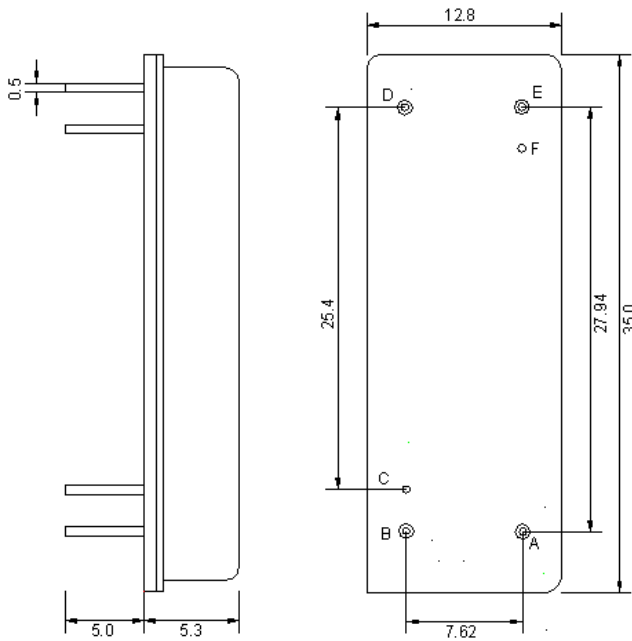
Notes

- o Electrostatic Sensitive Device (ESD) 
- o Avoid excessive ultrasonic exposure
- o Solderability compatible with JEDEC J-STD-020C Pb-free process, 260°C peak reflow temperature
- o This product complies with EU directive 2002/95/EC (RoHS compliance)



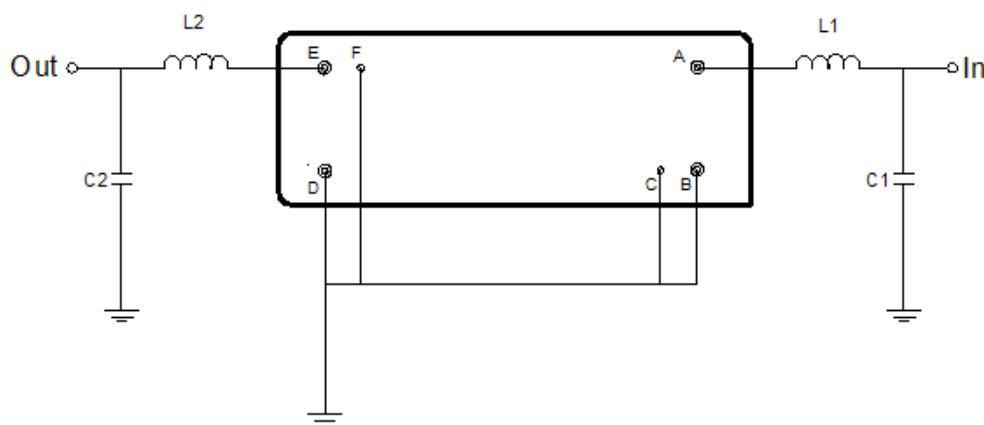


Mechanical Dimensions (mm)



Pin Description	
B, C, D, F	Ground
A	In
E	Out

Test Circuit



Test Fixture & Values	
Input	L1=150nH, C1=62pF
Output	L2=120nH, C2=62pF
Source/Load Impedance	50 Ω

**Maximum Ratings**

Parameters Description	Unit	Minimum	Typical	Maximum
Operating Temperature Range	°C	-30	-	80
Storage Temperature Range	°C	-40	-	85
Maximum DC Voltage	V	-	-	10
Maximum Input Power	dBm	-	-	10
Source Impedance (single ended) ⁽¹⁾	Ω	-	50	-
Load Impedance (single ended) ⁽¹⁾	Ω	-	50	-

Notes: With Matching Network (Ref. Testing Environment Circuit as shown above).

Those impedances could be modified with different impedance values and/or structures, if necessary.

Electrical Specification

Parameters Description	Unit	Minimum	Typical	Maximum
Center Frequency (Fo)	MHz	69.7	69.8	69.9
Insertion Loss at Fo	dB	-	22.5	24.0
Amplitude Ripple Variation	dB _{p-p}	-	0.55	1.0
Group Delay Variation	nsec	-	80	150
Absolute Delay at Fo	μsec	-	4.38	-
Temperature Coefficient	ppm/°C	-	-20	-
Bandwidth at -1.0 dB	MHz	-	4.05	-
Bandwidth at -3.0 dB	MHz	4.20	4.27	-
Bandwidth at -40.0 dB	MHz	-	5.17	5.30
Ultimate Rejection	dB	50	55	-



Frequency Response

