



REV A January 2011

Oscilent Controlled Document

Ordering Code / Part Number	Product Description
835-IF150.0M-06A	150.0MHz IF SAW Filter 6.5 MHz Bandwidth

Specification Contents

- o Mechanical Dimensions
- o Test Circuit
- o Maximum Ratings
- o Electrical Specification
- o Frequency Response
- o Smith Chart
- o VSWR

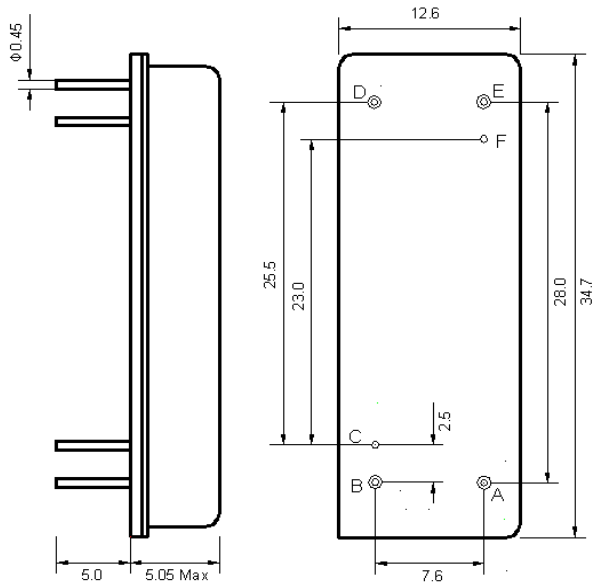
Notes

- o Electrostatic Sensitive Device (ESD) 
- o Avoid excessive ultrasonic exposure
- o Solderability compatible with JEDEC J-STD-020C Pb-free process, 260°C peak reflow temperature
- o This product complies with EU directive 2002/95/EC (RoHS compliance)



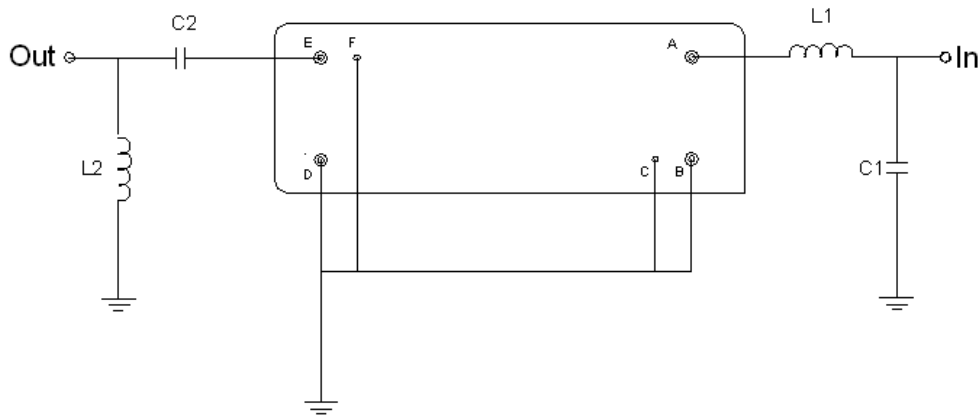


Mechanical Dimensions (mm)



Pin Description	
B, C, D, F	Ground
A	In
E	Out

Test Circuit



Test Fixture & Values	
Input	L1=33 nH, C1=39 pF
Output	L2=33 nH, C2=36pF
Source/Load Impedance	50 Ω

**Maximum Ratings**

Parameters Description	Unit	Minimum	Typical	Maximum
Operating Temperature Range	°C	-20	-	70
Storage Temperature Range	°C	-40	-	85
Maximum DC Voltage	V	-	-	10
Maximum Input Power	dBm	-	-	10
Source Impedance (single ended) ⁽¹⁾	Ω	-	50	-
Load Impedance (single ended) ⁽¹⁾	Ω	-	50	-

Notes: With Matching Network (Ref. Testing Environment Circuit as shown above).

Those impedances could be modified with different impedance values and/or structures, if necessary.

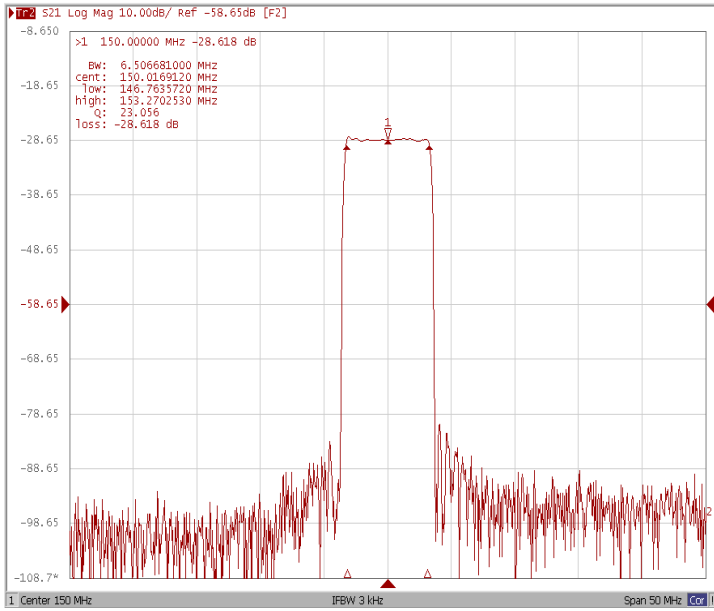
Electrical Specification

Parameters Description	Unit	Minimum	Typical	Maximum
Center Frequency (Fo)	MHz	-	150.0	-
Insertion Loss at Fo	dB	-	28.6	30.0
Absolute Delay	us	-	4.79	4.85
Temperature Coefficient	ppm/°C	-	-18	-
Amplitude Ripple(Fo±3.125MHz)	dB	-	0.89	1.20
Group Delay Variation(Fo±3.125MHz)	nsec	-	75	120
Bandwidth at -1dB	MHz	-	6.50	-
Bandwidth at -3dB	MHz	-	6.67	-
Bandwidth at -40dB	MHz	-	7.36	7.42
Bandwidth at -50dB	MHz	-	7.43	-
Ultimate Rejection	dB	42	52	-
Relative Attenuation Delta 625KHz	dB	-	45	-

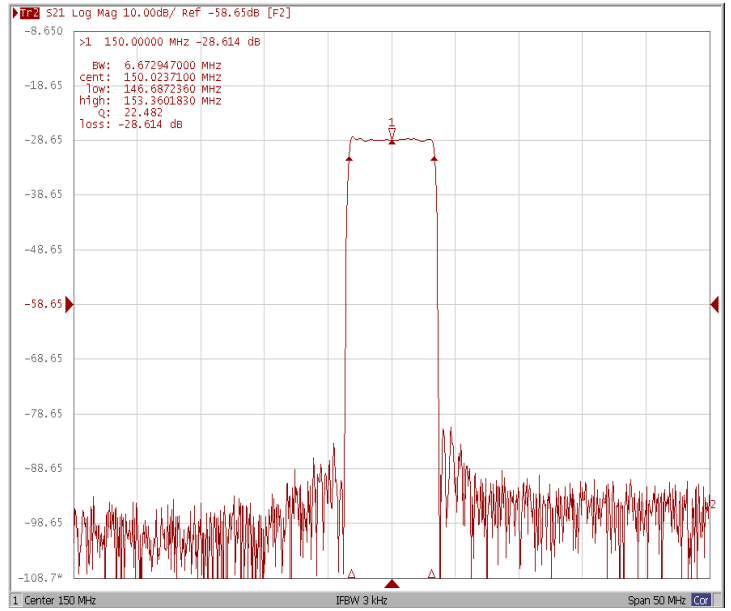


Frequency Response

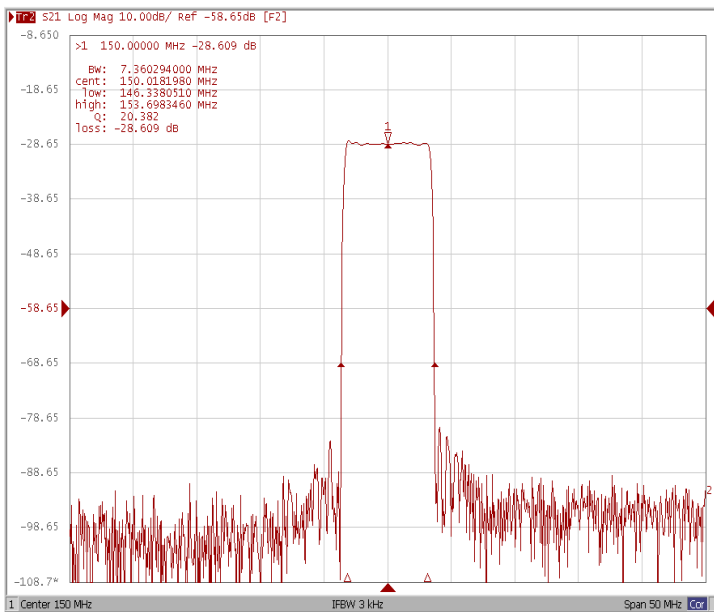
Bandwidth at -1.0 dB



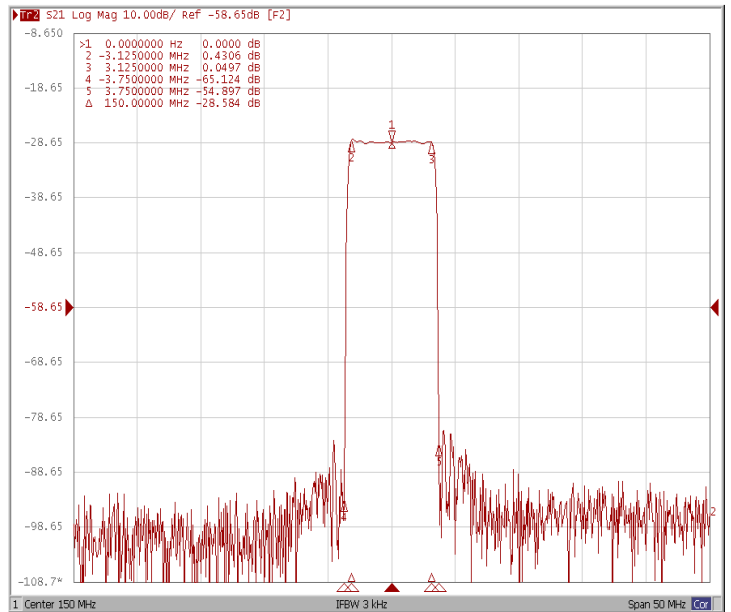
Bandwidth at -3.0 dB



Bandwidth at -40.0 dB

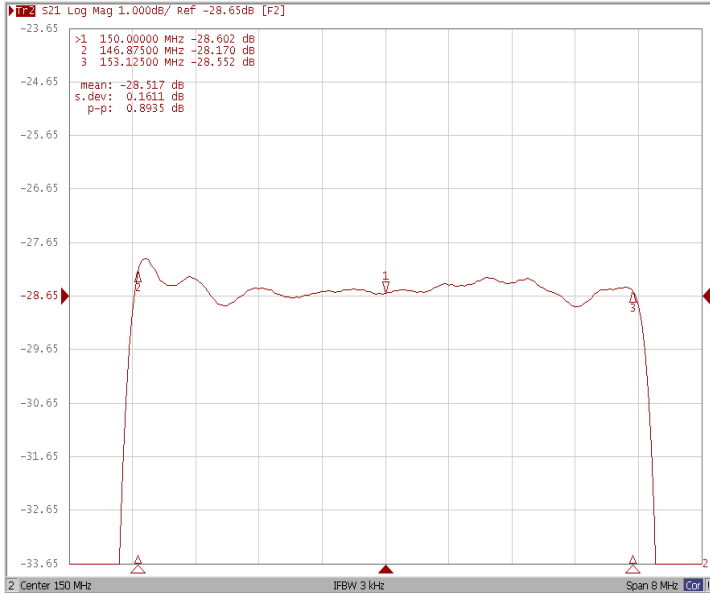


Relative Attenuation

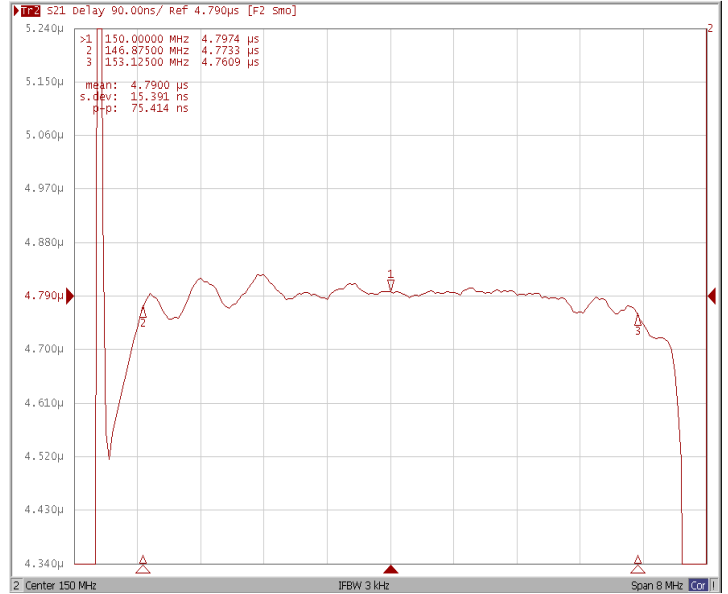




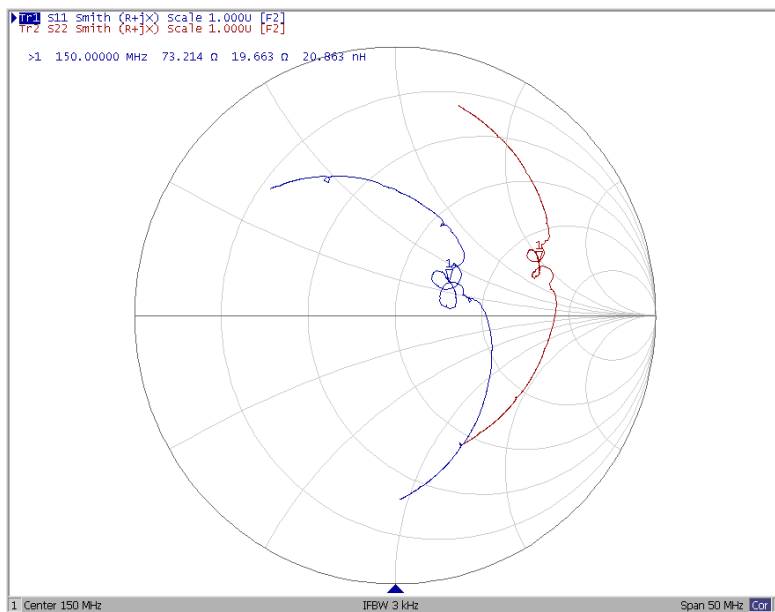
Ripple Variation (Fo±3.125MHz)



Group Delay Variation (Fo±3.125MHz)



Smith Chart





VSWR

