



REV A January 2011

Oscilent Controlled Document

Ordering Code / Part Number	Product Description
835-IF145.0M-10B	45.00MHz IF SAW Filter 9.18 MHz Bandwidth

### Specification Contents

- o Mechanical Dimensions
- o Test Circuit
- o Maximum Ratings
- o Electrical Specification
- o Frequency Response
- o Smith Chart
- o VSWR

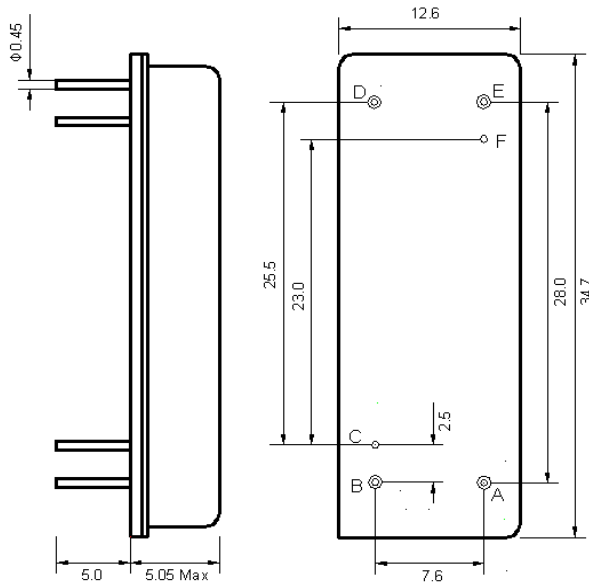
### Notes

- o Electrostatic Sensitive Device (ESD) 
- o Avoid excessive ultrasonic exposure
- o Solderability compatible with JEDEC J-STD-020C Pb-free process, 260°C peak reflow temperature
- o This product complies with EU directive 2002/95/EC (RoHS compliance)



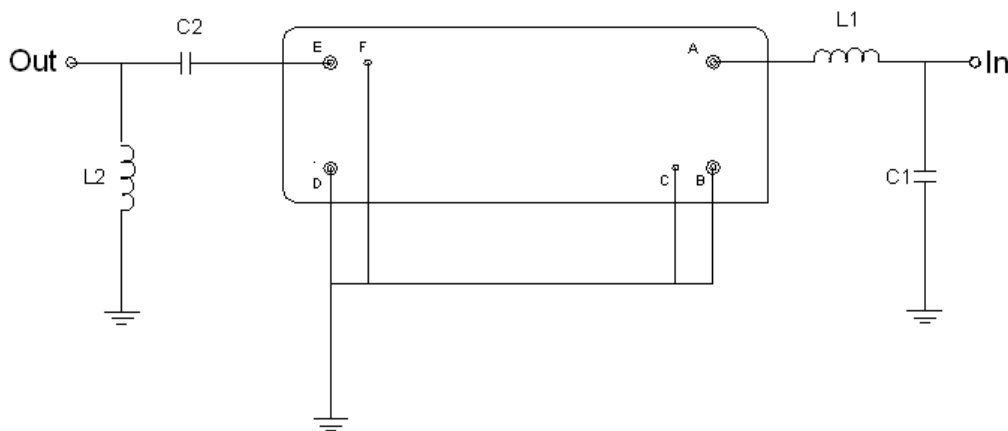


## Mechanical Dimensions (mm)



Pin Description	
B, C, D, F	Ground
A	In
E	Out

## Test Circuit



Test Fixture & Values	
Input	L1=68 nH, C1=22 pF
Output	L2=27 nH, C2=43 pF
Source/Load Impedance	50 Ω



## Maximum Ratings

Parameters Description	Unit	Minimum	Typical	Maximum
Operating Temperature Range	°C	-20	-	70
Storage Temperature Range	°C	-40	-	85
Maximum DC Voltage	V	-	-	10
Maximum Input Power	dBm	-	-	10
Source Impedance (single ended) <sup>(1)</sup>	Ω	-	50	-
Load Impedance (single ended) <sup>(1)</sup>	Ω	-	50	-

Notes: With Matching Network (Ref. Testing Environment Circuit as shown above).

Those impedances could be modified with different impedance values and/or structures, if necessary.

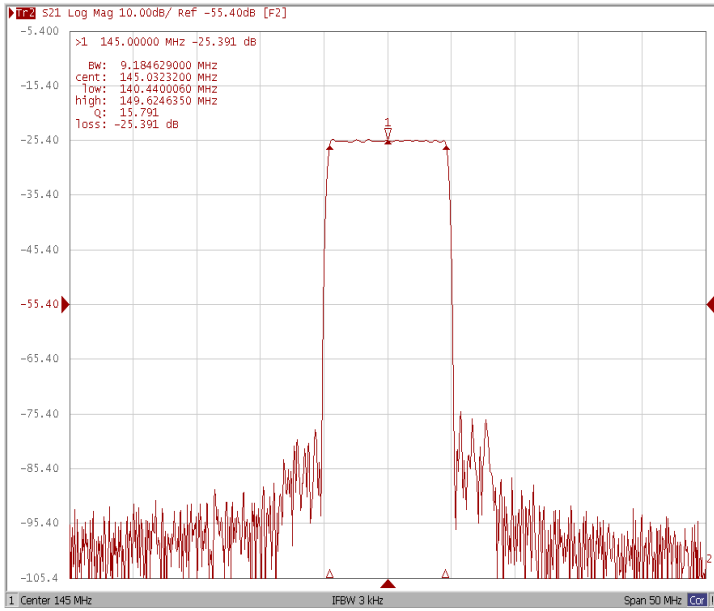
## Electrical Specification

Parameters Description	Unit	Minimum	Typical	Maximum
Center Frequency (Fo)	MHz	-	145.0	-
Insertion Loss at Fo	dB	-	25.40	27.00
Group Delay Variation (Fo±4.52MHz)	ns	-	80	120
Absolute Delay Time at Fo	us	-	3.6	-
Temperature Coefficient	ppm/°C	-	-18	-
Amplitude Ripple (Fo±4.52MHz)	dB	-	0.75	1.00
Bandwidth at -1dB	MHz	9.04	9.18	-
Bandwidth at -3dB	MHz	-	9.40	-
Bandwidth at -50dB	MHz	-	10.35	10.50
Relative Attenuation				
Fo ± 5.1MHz ~ Fo ± 5.9MHz	dB	-	24	-
Fo ± 5.9MHz ~ Fo ± 9.9MHz	dB	39	48	-
Fo ± 9.9MHz ~ Fo ± 14.9MHz	dB	39	50	-
Fo ± 14.9MHz ~ Fo ± 20.0MHz	dB	49	62	-
Ultimate Rejection	dB	-	50	-

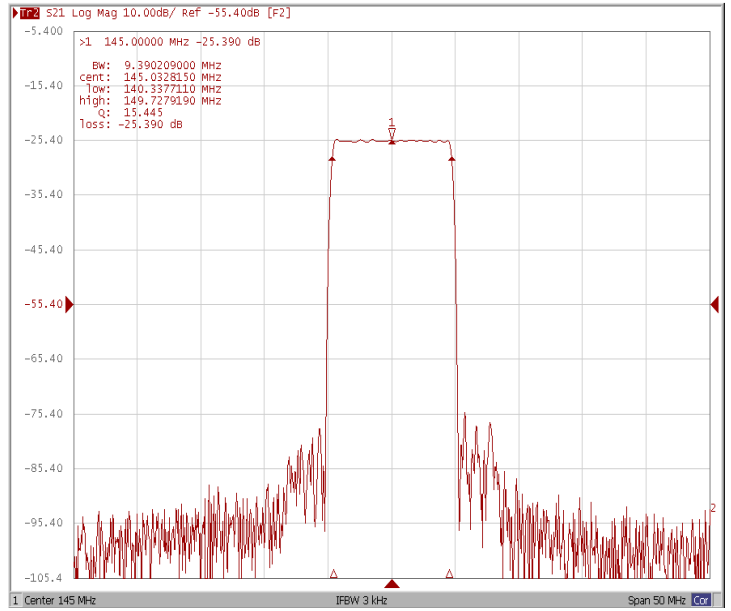


### Frequency Response

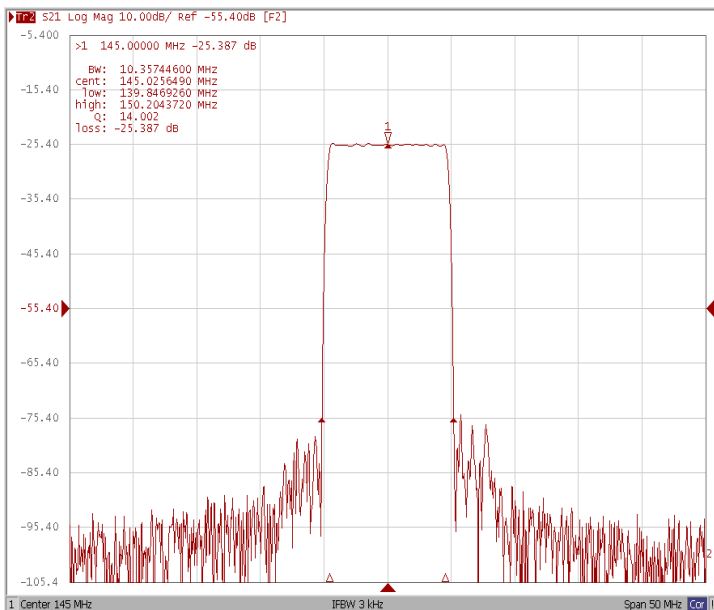
#### Bandwidth at -1.0 dB



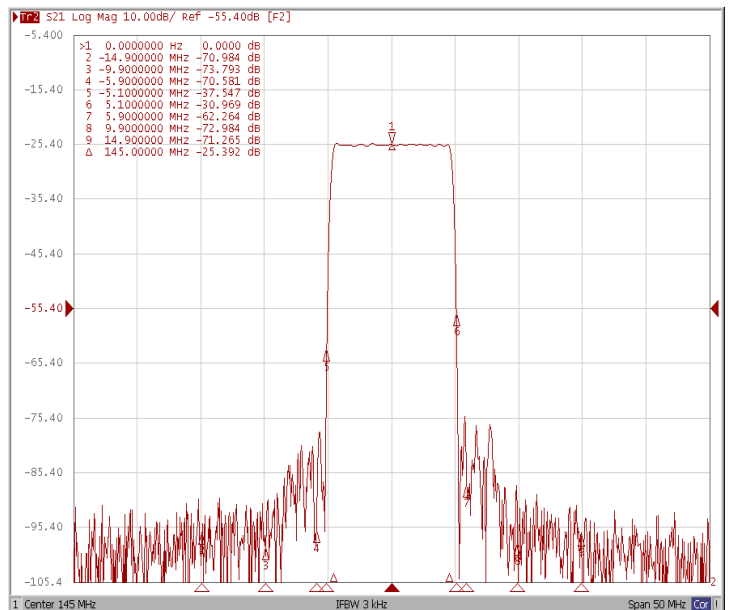
#### Bandwidth at -3.0 dB



#### Bandwidth at -50.0 dB

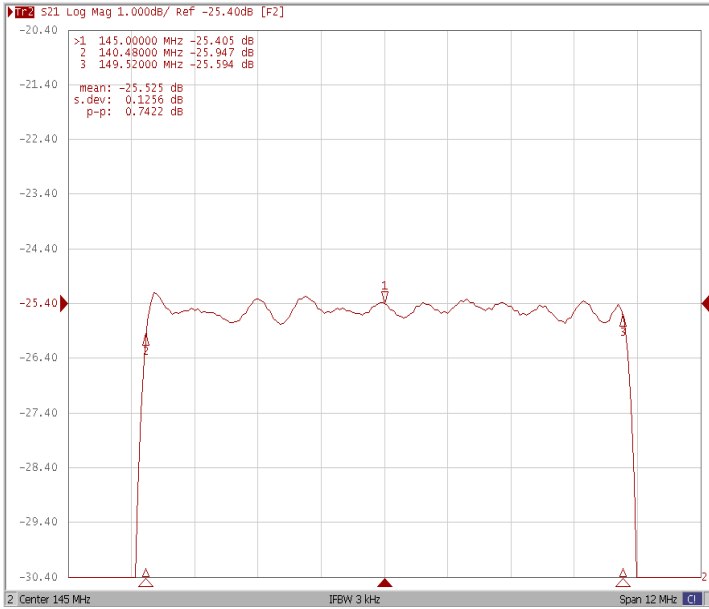


#### Relative Attenuation

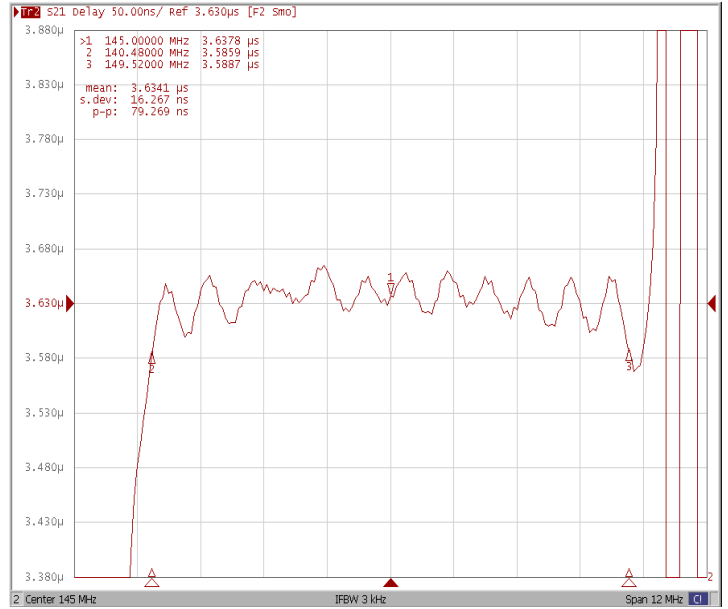




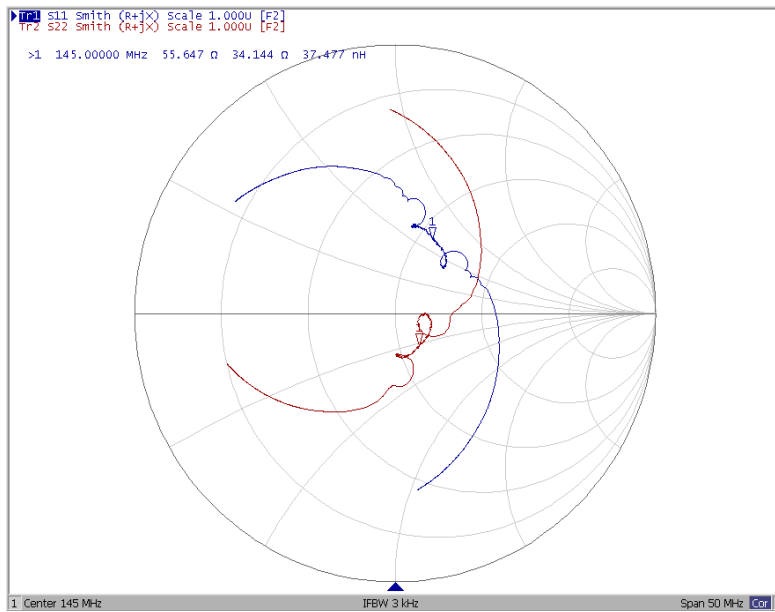
### Ripple Variation Fo±4.52MHz



### Group Delay Variation Fo±4.52MHz



### Smith Chart





### VSWR

