



Data Sheet



Product Category: IF SAW Filter

Part Number  
835-IF80.7M-APackage  
35.0 x 12.8 Thru HoleApplication  
Base Station & RepeaterLast Modified  
May 24 2003

## TYPE :

80.7 MHz Bandpass Filter

11.20 MHz Bandwidth

## PART NUMBER :

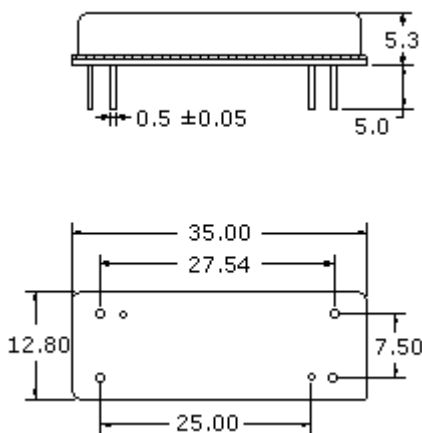
**835-IF80.7M-A**

## OPERATING CONDITIONS / ELECTRICAL CHARACTERISTICS

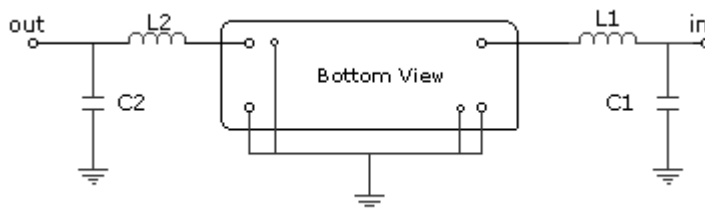
PARAMETERS	Minimum	Typical	Maximum	Units
Center Frequency	-	80.7	-	MHz
Insertion Loss	-	25.2	28.0	dB
3dB Bandwidth	-	11.2	-	MHz
40dB Bandwidth	-	12.8	-	MHz
Passband Ripple	-	0.8	1.2	dB
Group Delay Variation	-	80	150	nsec
Ultimate Rejection	-	50	55	dB
Substrate Material	-	LT	-	-
Ambient Temperature	-	25	-	°C

\* Custom SAW IF Filters available. Contact Oscilent for assistance.

## PACKAGE OUTLINE (mm)



## TEST FIXTURE



L1 = 120nH      C1 = 62pF  
 L2 = 180nH      C2 = 43pF  
 Source/Load Impedance = 50 ohms

Oscilent Corporation - CALL 949.252.0522

Part No.: 835-IF80.7M-A

17962 Sky Park Circle, Building D, Irvine, CA 92614, USA  
 Fax: 949.252.0599, E-Mail: Sales@Oscilent.com

[Crystal Oscillators](#) | [Quartz Crystal](#) | [TCXO](#) | [VCXO](#) | [IF SAW Filter](#) | [RF SAW Filter](#) | [Ceramic Resonator](#)  
[Crystal Filter](#) | [Ceramic Filter](#) | [SAW Filter / SAW Devices](#) | [Site Map](#)