



Data Sheet



Product Category: IF SAW Filter

Part Number: 835-IF75.0M-F Package: 35.0 x 12.8 Thru Hole Application: Base Station & Repeater Last Modified: May 24 2003

TYPE :
75.0 MHz Bandpass Filter
19.0 MHz Bandwidth

PART NUMBER :
835-IF75.0M-F

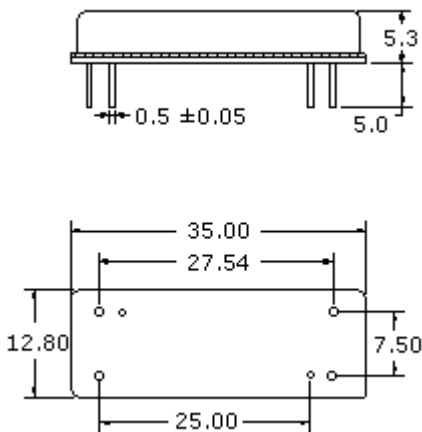


OPERATING CONDITIONS / ELECTRICAL CHARACTERISTICS

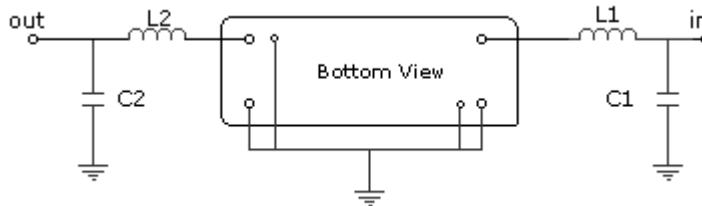
PARAMETERS	Minimum	Typical	Maximum	Units
Center Frequency	-	75.00	-	MHz
Insertion Loss	-	24.50	26.0	dB
1dB Bandwidth	18.70	18.85	-	MHz
3dB Bandwidth	19.00	19.17	-	MHz
18dB Bandwidth	-	19.95	20.10	MHz
33dB Bandwidth	-	20.28	20.40	MHz
50dB Bandwidth	-	20.48	20.70	MHz
Passband Ripple	-	0.65	1.0	dB
Group Delay Variation	-	50	100	nsec
Ultimate Rejection	50	55	-	dB
Absolute Delay	-	2.87	-	µsec
Ambient Temperature	-	25	-	°C

* Custom SAW IF Filters available. Contact Oscilent for assistance.

PACKAGE OUTLINE (mm)



TEST FIXTURE



L1 = 120nH C1 = 56pF
L2 = 180nH C2 = 39pF
Source/Load Impedance = 50 ohms

Part No.: 835-IF75.0M-F

Oscilent Corporation - CALL **949.252.0522**

17962 Sky Park Circle . Building D . Irvine . CA 92614 . USA
Fax: 949.252.0599 . E-Mail: Sales@Oscilent.com

[Crystal Oscillators](#) | [Quartz Crystal](#) | [TCXO](#) | [VCXO](#) | [IF SAW Filter](#) | [RF SAW Filter](#) | [Ceramic Resonator](#)
[Crystal Filter](#) | [Ceramic Filter](#) | [SAW Filter / SAW Devices](#) | [Site Map](#)