



Data Sheet



Product Category: IF SAW Filter

Part Number
835-IF75.0M-D

Package
35.0 x 12.8 Thru Hole

Application
Base Station & Repeater

Last Modified
May 24 2003

TYPE :

75.0 MHz Bandpass Filter
19.30 MHz Bandwidth

PART NUMBER :

835-IF75.0M-D

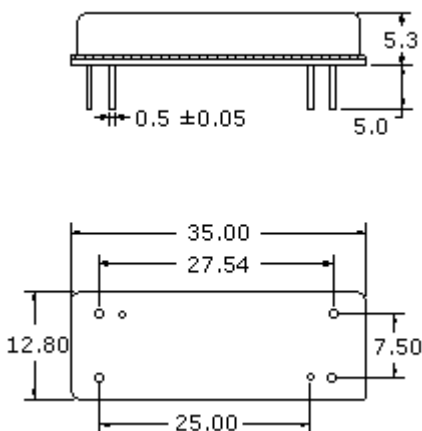


OPERATING CONDITIONS / ELECTRICAL CHARACTERISTICS

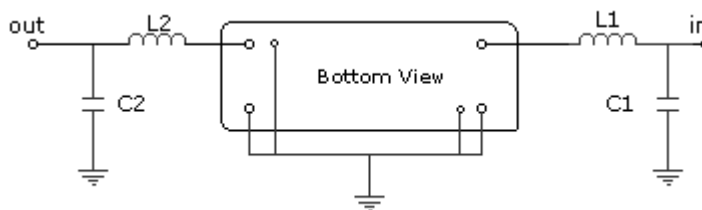
PARAMETERS	Minimum	Typical	Maximum	Units
Center Frequency	69.95	75.00	75.05	MHz
Insertion Loss	-	22.80	25.0	dB
1dB Bandwidth	18.90	19.05	-	MHz
3dB Bandwidth	19.30	19.50	-	MHz
18dB Bandwidth	-	20.29	20.40	MHz
33dB Bandwidth	-	20.60	20.80	MHz
40dB Bandwidth	-	20.70	20.90	MHz
50dB Bandwidth	-	20.80	21.00	MHz
Passband Ripple	-	0.65	1.0	dB
Group Delay Variation	-	65	100	nsec
Ultimate Rejection	50	55	-	dB
Substrate Material	-	LN	-	-
Ambient Temperature	-	25	-	°C

* Custom SAW IF Filters available. Contact Oscilent for assistance.

PACKAGE OUTLINE (mm)



TEST FIXTURE



L1 = 120nH C1 = 51pF
 L2 = 180nH C2 = 43pF
 Source/Load Impedance = 50 ohms

Oscilent Corporation - CALL **949.252.0522**
17962 Sky Park Circle , Building D , Irvine , CA 92614 , USA
Fax: 949.252.0599 , E-Mail: Sales@Oscilent.com

Part No.: 835-IF75.0M-D

[Crystal Oscillators](#) | [Quartz Crystal](#) | [TCXO](#) | [VCXO](#) | [IF SAW Filter](#) | [RF SAW Filter](#) | [Ceramic Resonator](#)
[Crystal Filter](#) | [Ceramic Filter](#) | [SAW Filter / SAW Devices](#) | [Site Map](#)