



**Data Sheet**

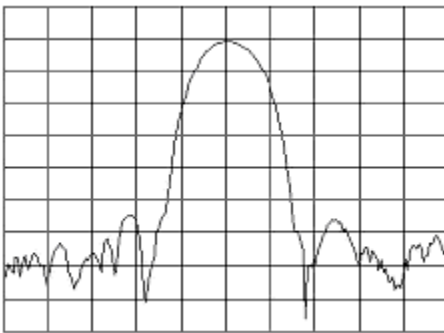


Product Category: IF SAW Filter

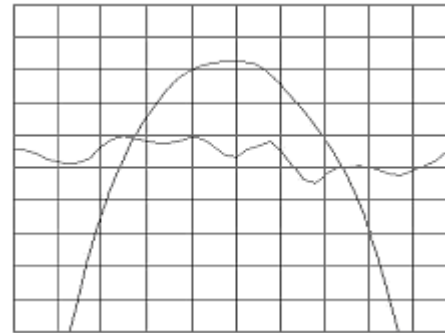
Part Number: 835-IF70.0M-P      Package: 35.0 x 12.8 Thru Hole      Application: Base Station & Repeater      Last Modified: May 02 2003

TYPE :  
70.0 MHz Bandpass Filter  
250 KHz Bandwidth

PART NUMBER :  
**835-IF70.0M-P**



Horizontal : 0.3 MHz/Div  
Vertical : 10 dB/Div



Horizontal : 0.06 MHz/Div  
Vertical : 1 dB/Div  
Vertical : 200 ns/Div

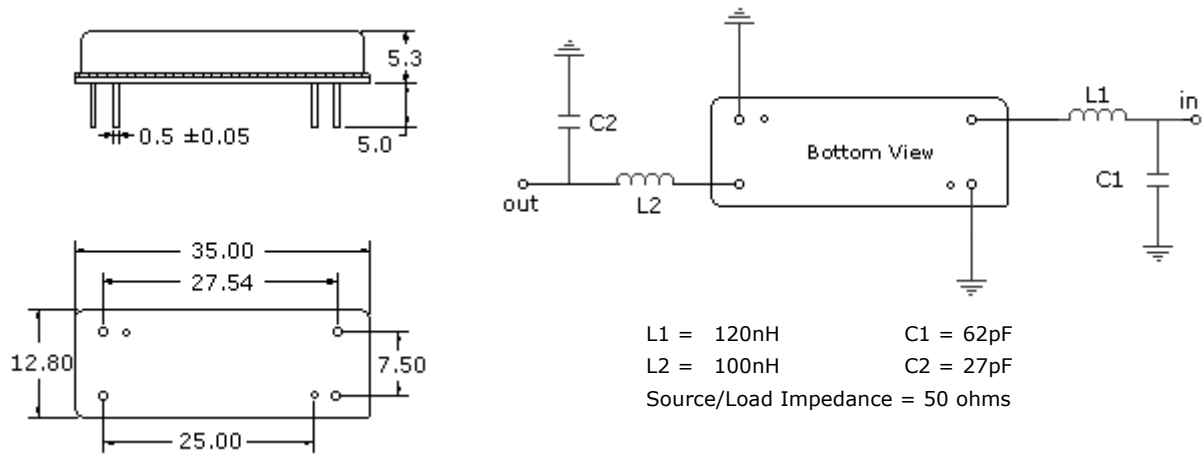
**OPERATING CONDITIONS / ELECTRICAL CHARACTERISTICS**

PARAMETERS	Minimum	Typical	Maximum	Units
Center Frequency	69.94	70.00	70.06	MHz
Insertion Loss	-	17.5	20.0	dB
1dB Bandwidth	0.16	0.18	-	MHz
3dB Bandwidth	0.25	0.30	-	MHz
40dB Bandwidth	-	0.9	1.0	MHz
Passband Ripple	-	1.2	1.5	dB
Group Delay Variation	-	300	1000	µsec
Absolute Delay	-	3.7	-	µsec
Ultimate Rejection	50	60	-	dB
Substrate Material	-	Qz	-	-
Ambient Temperature	-	25	-	°C

\* Custom SAW IF Filters available. Contact Oscilent for assistance.

**PACKAGE OUTLINE (mm)**

**TEST FIXTURE**



**Oscilent Corporation** - CALL **949.252.0522**

17962 Sky Park Circle, Building D, Irvine, CA 92614, USA  
 Fax: 949.252.0599, E-Mail: Sales@Oscilent.com

**Part No.:** 835-IF70.0M-P

Crystal Oscillators | Quartz Crystal | TCXO | VCXO | IF SAW Filter | RF SAW Filter | Ceramic Resonator  
 Crystal Filter | Ceramic Filter | SAW Filter / SAW Devices | Site Map