



Oscilent Corporation

PRODUCT SPECIFICATION

REV A January 2011

Oscilent Controlled Document

Ordering Code / Part Number	Product Description
835-IF70.0M-KA	70.0 MHz IF SAW Filter 18.45 MHz Bandwidth

Specification Contents

- o Mechanical Dimensions
- o Test Circuit
- o Maximum Ratings
- o Electrical Specification

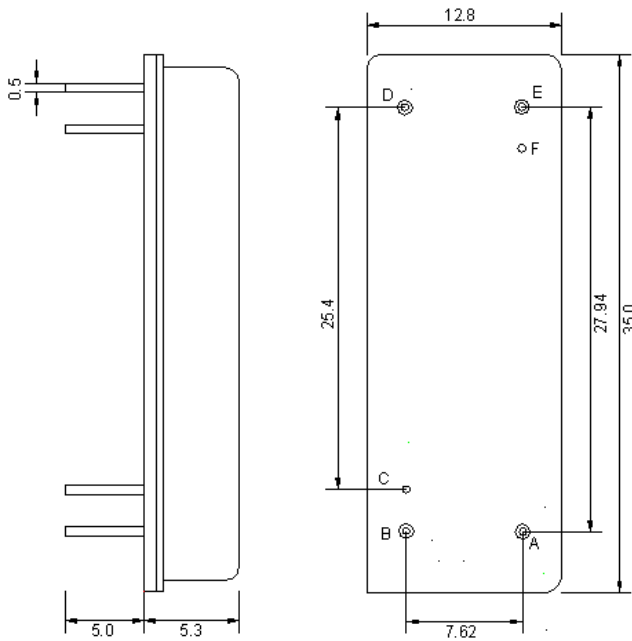
Notes

- o Electrostatic Sensitive Device (ESD) 
- o Avoid excessive ultrasonic exposure
- o Solderability compatible with JEDEC J-STD-020C Pb-free process, 260°C peak reflow temperature
- o This product complies with EU directive 2002/95/EC (RoHS compliance)



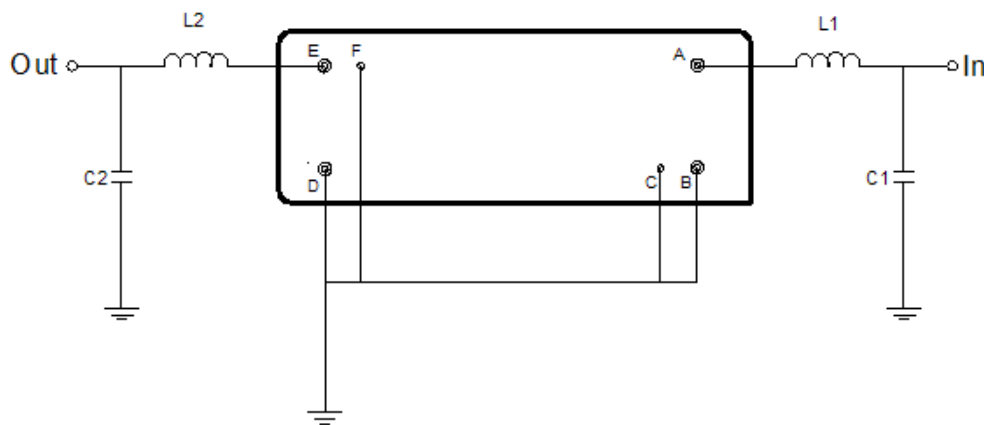


Mechanical Dimensions (mm)



Pin Description	
B, C, D, F	Ground
A	In
E	Out

Test Circuit



Test Fixture & Values	
Input	L1 = 100 nH, C1 = 36 pF
Output	L2 = 120 nH, C2 = 0 pF
Source/Load Impedance	50 Ω



Maximum Ratings

Parameters Description	Unit	Minimum	Typical	Maximum
Operating Temperature Range	°C	-30	-	80
Storage Temperature Range	°C	-40	-	85
Maximum DC Voltage	V	-	-	10
Maximum Input Power	dBm	-	-	10
Source Impedance (single ended) ⁽¹⁾	Ω	-	50	-
Load Impedance (single ended) ⁽¹⁾	Ω	-	50	-

Notes: With Matching Network (Ref. Testing Environment Circuit as shown above).

Those impedances could be modified with different impedance values and/or structures, if necessary.

Electrical Specification

Parameters Description	Unit	Minimum	Typical	Maximum
Center Frequency (Fo)	MHz	69.94	70.00	70.06
Insertion Loss at Fo	dB	-	25.5	27.0
Group Delay Variation	nsec	-	55	100
Absolute Delay at Fo	usec	-	4.43	-
Passband Ripple Variation	dB	-	0.6	1.0
Bandwidth at -1dB	MHz	18.40	18.45	-
Bandwidth at -3dB	MHz	18.60	18.65	-
Bandwidth at -40dB	MHz	-	19.50	19.60
Bandwidth at -50dB	MHz	-	19.60	19.70
Ultimate Rejection	dB	50	55	-
Temperature Coefficient	ppm/°C	-	-72	-