



Oscilent Corporation

# PRODUCT SPECIFICATION

REV A January 2011


Oscilent Controlled Document

Ordering Code / Part Number	Product Description
835-IF70.0M-K	70.0 MHz IF SAW Filter 9.32 MHz Bandwidth

## Specification Contents

- o Mechanical Dimensions
- o Test Circuit
- o Maximum Ratings
- o Electrical Specification

## Notes

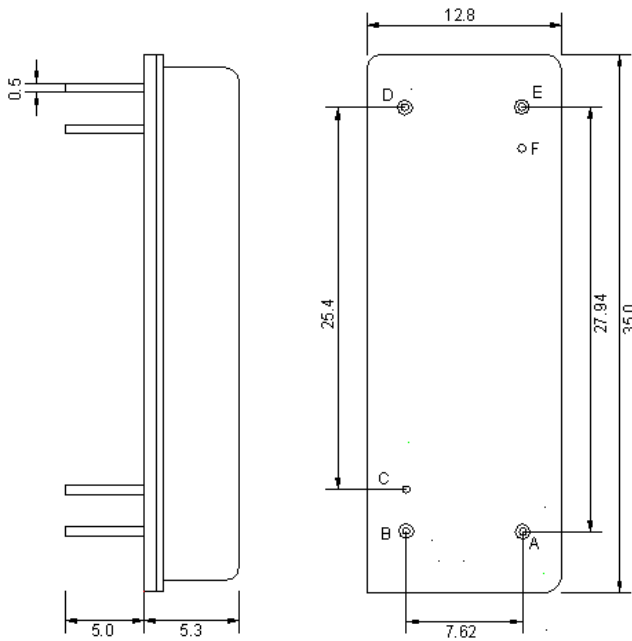
- o Electrostatic Sensitive Device (ESD) 
- o Avoid excessive ultrasonic exposure
- o Solderability compatible with JEDEC J-STD-020C Pb-free process, 260°C peak reflow temperature
- o This product complies with EU directive 2002/95/EC (RoHS compliance)



Oscilent Corporation  
Telephone: 1.949.252.0522  
Fax: 1.949.252.0522  
Email: sales@oscilent.com

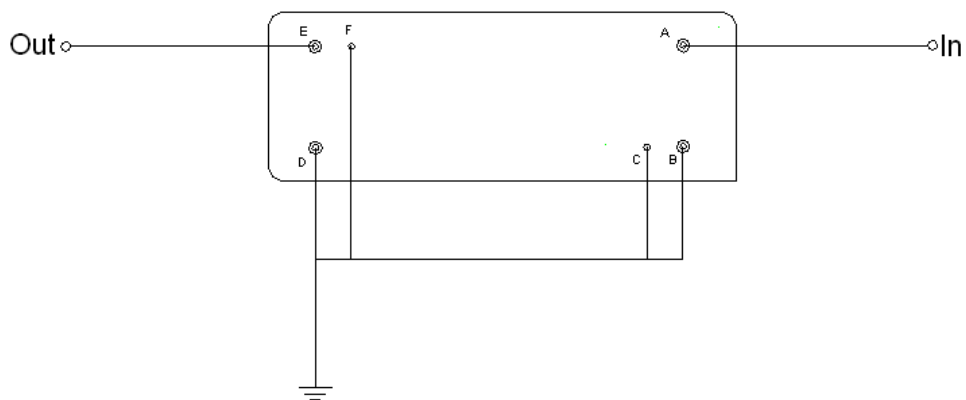


### Mechanical Dimensions (mm)



Pin Description	
B, C, D, F	Ground
A	In
E	Out

### Test Circuit



No Matching Required  
Source/Load Impedance = 50  $\Omega$



## Maximum Ratings

Parameters Description	Unit	Minimum	Typical	Maximum
Operating Temperature Range	°C	-30	-	80
Storage Temperature Range	°C	-40	-	85
Maximum DC Voltage	V	-	-	10
Maximum Input Power	dBm	-	-	10
Source Impedance (single ended) <sup>(1)</sup>	Ω	-	50	-
Load Impedance (single ended) <sup>(1)</sup>	Ω	-	50	-

Notes: With Matching Network (Ref. Testing Environment Circuit as shown above).  
Those impedances could be modified with different impedance values and/or structures, if necessary.

## Electrical Specification

Parameters Description	Unit	Minimum	Typical	Maximum
Center Frequency (Fo)	MHz	69.92	70.00	70.08
Insertion Loss at Fo	dB	-	28.5	30.0
Group Delay Variation	nsec	-	70	150
Absolute Delay at Fo	usec	-	4.40	-
Passband Ripple Variation	dB	-	0.65	1.0
Bandwidth at -1dB	MHz	9.25	9.32	-
Bandwidth at -3dB	MHz	9.45	9.52	-
Bandwidth at -40dB	MHz	-	10.28	10.35
Bandwidth at -50dB	MHz	-	10.35	10.40
Ultimate Rejection	dB	50	55	-
Temperature Coefficient	ppm/°C	-	-72	-