

**Data Sheet**

telephone

949 252 0522



BACK

Product Category: IF SAW Filter

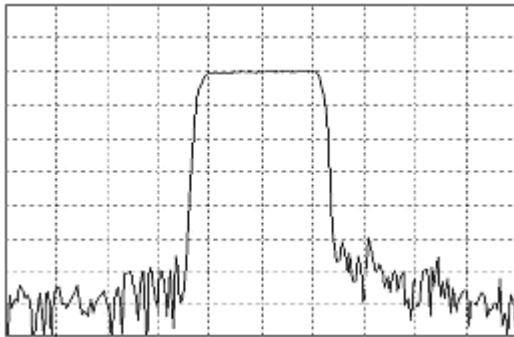
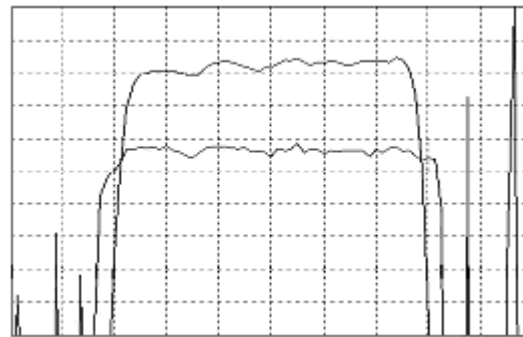
Part Number
827-IF70.0M-ZPackage
27.2 x 12.6 Thru HoleApplication
Base Station & RepeaterLast Modified
May 30 2003

TYPE :

70.0 MHz Bandpass Filter

6.6 MHz Bandwidth

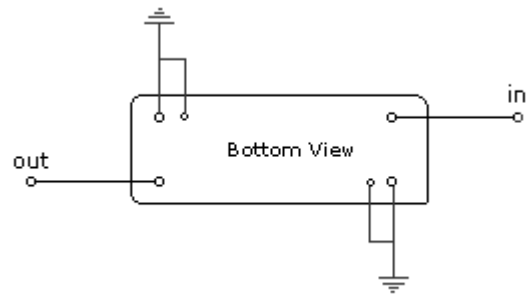
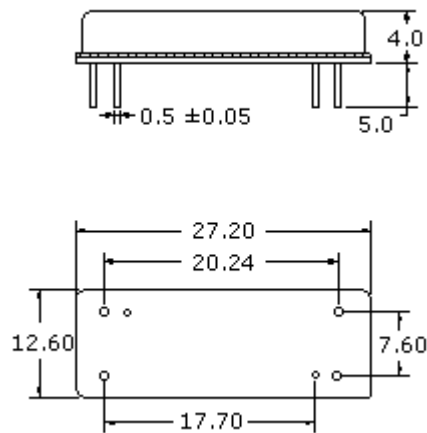
PART NUMBER :

827-IF70.0M-ZHorizontal : 3.0 MHz/Div
Vertical : 10 dB/DivHorizontal : 1.2 MHz/Div
Vertical : 1 dB/Div
Vertical : 100 ns/Div**OPERATING CONDITIONS / ELECTRICAL CHARACTERISTICS**

PARAMETERS	Minimum	Typical	Maximum	Units
Center Frequency	69.90	70.00	70.1	MHz
Insertion Loss	-	23.5	25.0	dB
1dB Bandwidth	6.3	6.5	-	MHz
3dB Bandwidth	6.6	6.9	-	MHz
40dB Bandwidth	-	8.2	8.5	MHz
Passband Ripple	-	0.6	1.0	dB
Group Delay Variation	-	45	100	nsec
Absolute Delay	-	2.865	-	µsec
Ultimate Rejection	50	60	-	dB
Substrate Material	-	YZ-LN	-	-
Ambient Temperature	-	25	-	°C
Phase Linearity	-	3.4	7.0	deg

* Custom SAW IF Filters available. Contact Oscilent for assistance.

PACKAGE OUTLINE (mm)**TEST FIXTURE**



Source/Load Impedance = 50 ohms

Oscilent Corporation - CALL **949.252.0522**

Part No.: 827-IF70.0M-Z

17962 Sky Park Circle, Building D, Irvine, CA 92614, USA
 Fax: 949.252.0599, E-Mail: Sales@Oscilent.com