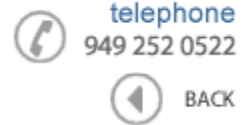




Data Sheet


 telephone
 949 252 0522

BACK

Product Category: IF SAW Filter

 Part Number
 827-IF120.0M-B

 Package
 27.2 x 12.6 Thru Hole

 Application
 Base Station & Repeater

 Last Modified
 May 30 2003

TYPE :

120.0 MHz Bandpass Filter

26.1 MHz Bandwidth

PART NUMBER :

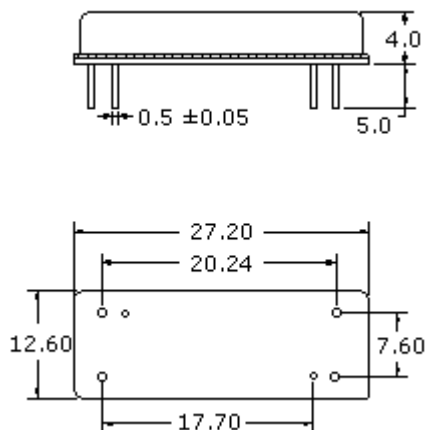
827-IF120.0M-B

OPERATING CONDITIONS / ELECTRICAL CHARACTERISTICS

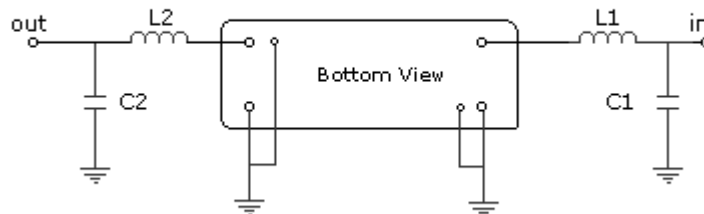
PARAMETERS	Minimum	Typical	Maximum	Units
Center Frequency	119.9	120.0	120.1	MHz
Insertion Loss	-	23.0	25.0	dB
1dB Bandwidth	25.5	25.65	-	MHz
3dB Bandwidth	26.1	26.25	-	MHz
40dB Bandwidth	-	28.70	28.9	MHz
Passband Ripple	-	0.70	1.0	dB
Group Delay Variation	-	35	80	nsec
Absolute Delay	-	1.52	-	µsec
Ultimate Rejection	50	55	-	dB
Substrate Material	-	128 Degree LN	-	-
Ambient Temperature	-	25	-	°C

* Custom SAW IF Filters available. Contact Oscilent for assistance.

PACKAGE OUTLINE (mm)



TEST FIXTURE



L1 = 39nH

L2 = 27nH

C2 = 15pF

Source/Load Impedance = 50 ohms

* PKG ground required for excellent spurious levels

Oscilent Corporation - CALL 949.252.0522

Part No.: 827-IF120.0M-B

17962 Sky Park Circle, Building D, Irvine, CA 92614, USA

Fax: 949.252.0599, E-Mail: Sales@Oscilent.com

[Crystal Oscillators](#) | [Quartz Crystal](#) | [TCXO](#) | [VCXO](#) | [IF SAW Filter](#) | [RF SAW Filter](#) | [Ceramic Resonator](#)
[Crystal Filter](#) | [Ceramic Filter](#) | [SAW Filter / SAW Devices](#) | [Site Map](#)