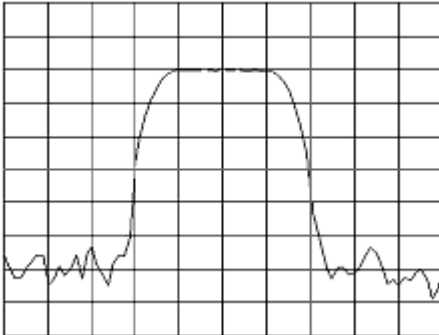
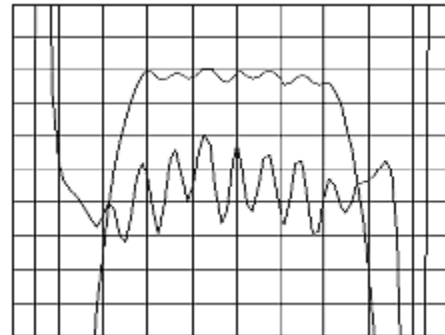


**Data Sheet**telephone  
949 252 0522

BACK

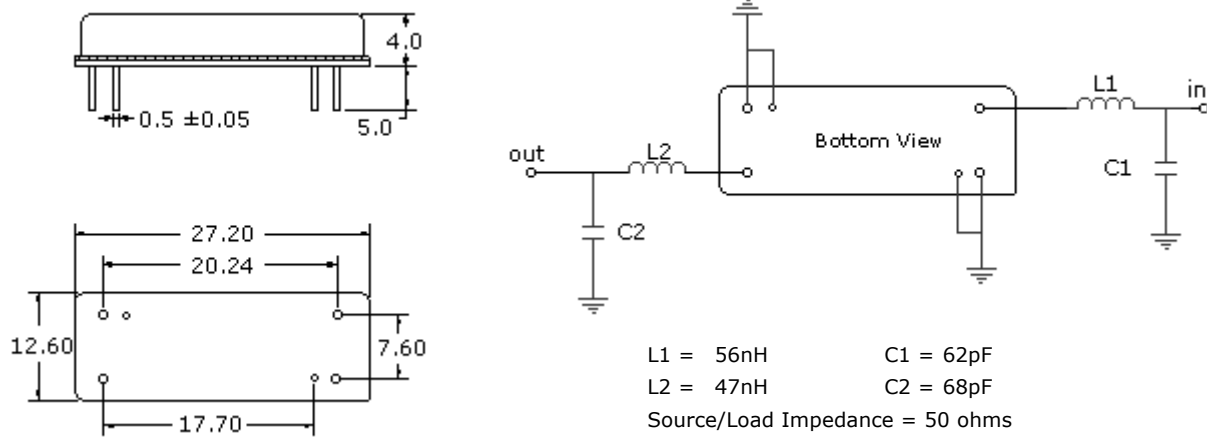
Product Category: IF SAW Filter

Part Number  
827-IF120.0M-APackage  
27.2 x 12.6 Thru HoleApplication  
Base Station & RepeaterLast Modified  
May 30 2003**TYPE :**120.0 MHz Bandpass Filter  
0.9 MHz Bandwidth**PART NUMBER :****827-IF120.0M-A**Horizontal : 0.4 MHz/Div  
Vertical : 10 dB/DivHorizontal : 0.2 MHz/Div  
Vertical : 1 dB/Div  
Vertical : 100 ns/Div**OPERATING CONDITIONS / ELECTRICAL CHARACTERISTICS**

| PARAMETERS            | Minimum | Typical | Maximum | Units |
|-----------------------|---------|---------|---------|-------|
| Center Frequency      | 119.96  | 120.0   | 120.04  | MHz   |
| Insertion Loss        | -       | 18.7    | 20.0    | dB    |
| 1.5dB Bandwidth       | 0.9     | 0.99    | -       | MHz   |
| 35dB Bandwidth        | -       | 1.6     | 1.73    | MHz   |
| 50dB Bandwidth        | -       | 1.74    | 1.8     | MHz   |
| Passband Ripple       | -       | 0.46    | .8      | dB    |
| Group Delay Variation | -       | 310     | 400     | nsec  |
| Absolute Delay        | -       | 3.45    | -       | µsec  |
| Ultimate Rejection    | 50      | 55      | -       | dB    |
| Substrate Material    | -       | Qz      | -       | -     |
| Ambient Temperature   | -       | 25      | -       | °C    |
| Phase Linearity       | -       | 4.85    | 8       | deg   |

\* Custom SAW IF Filters available. Contact Oscilent for assistance.

**PACKAGE OUTLINE (mm)****TEST FIXTURE**



**Oscilent Corporation** - CALL **949.252.0522**

**Part No.:** 827-IF120.0M-A

17962 Sky Park Circle, Building D, Irvine, CA 92614, USA  
 Fax: 949.252.0599, E-Mail: Sales@Oscilent.com

Crystal Oscillators | Quartz Crystal | TCXO | VCXO | IF SAW Filter | RF SAW Filter | Ceramic Resonator  
 Crystal Filter | Ceramic Filter | SAW Filter / SAW Devices | Site Map