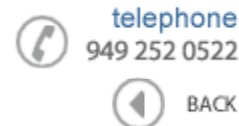


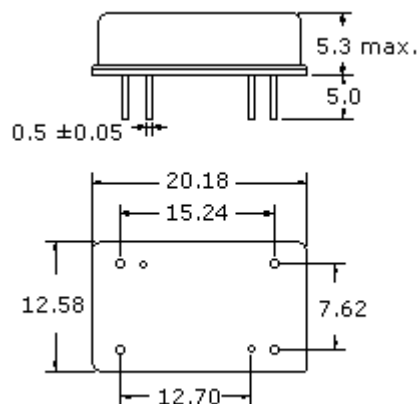
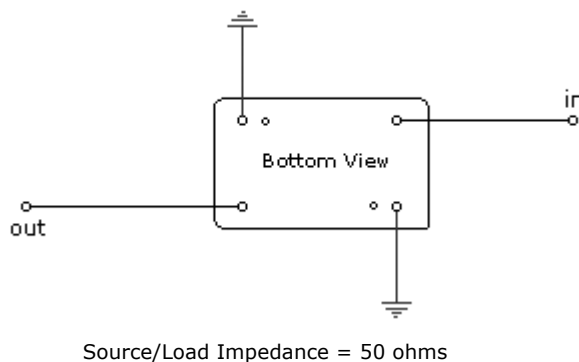
**Data Sheet**

Product Category: IF SAW Filter

Part Number
820-IF63.0M-APackage
20.2 x 12.6 Thru HoleApplication
Base Station & RepeaterLast Modified
May 24 2003**TYPE :**63.0 MHz Bandpass Filter
3.80 MHz Bandwidth**PART NUMBER :****820-IF63.0M-A****OPERATING CONDITIONS / ELECTRICAL CHARACTERISTICS**

PARAMETERS	Minimum	Typical	Maximum	Units
Center Frequency (Fo)	-	63.0	-	MHz
Insertion Loss at Fo	-	14.0	15.0	dB
3dB Bandwidth	-	3.80	-	MHz
40dB Bandwidth	-	5.2	-	MHz
Passband Ripple	-	0.40	0.6	dB
Group Delay Variation	-	60	100	nsec
Ultimate Attenuation	-	50	-	dB
Substrate Material	-	LN	-	-

* Custom SAW IF Filters available. Contact Oscilent for assistance.

PACKAGE OUTLINE (mm)**TEST FIXTURE****Oscilent Corporation** - CALL **949.252.0522**17962 Sky Park Circle , Building D , Irvine , CA 92614 , USA
Fax: 949.252.0599 , E-Mail: Sales@Oscilent.com**Part No.:** 820-IF63.0M-A