



**Data Sheet**



Product Category: IF SAW Filter

Part Number  
819-IF380.0M-A

Package  
19 x 6.5 SMD

Application  
HDR & IMT-2000

Last Modified  
May 22 2003

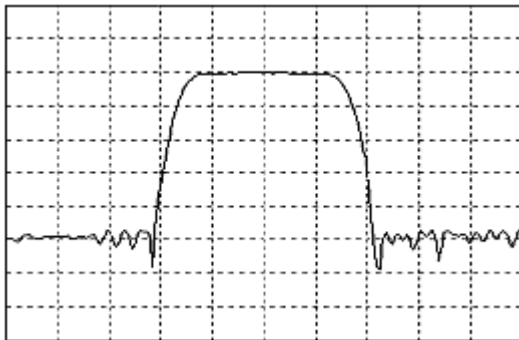
**TYPE :**

380.0 MHz Bandpass Filter  
4.30 MHz Bandwidth

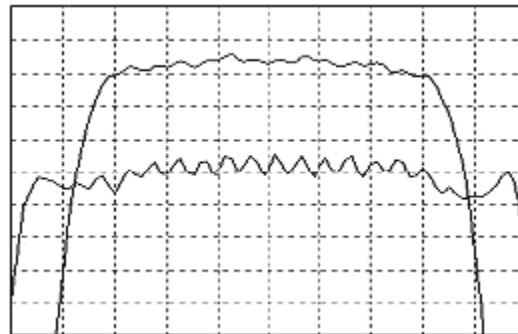


**PART NUMBER :**

**819-IF380.0M-A**



Horizontal : 1.5 MHz/Div  
Vertical : 10 dB/Div



Horizontal : 0.6 MHz/Div  
Vertical : 1 dB/Div  
Vertical : 100 ns/Div

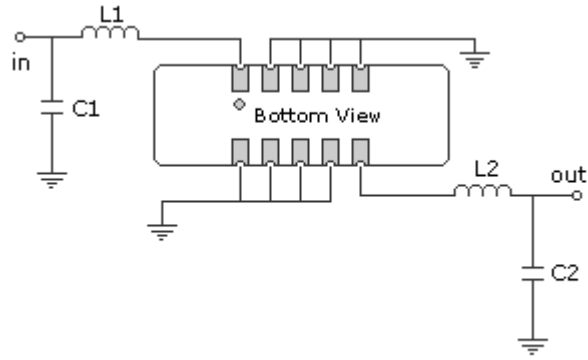
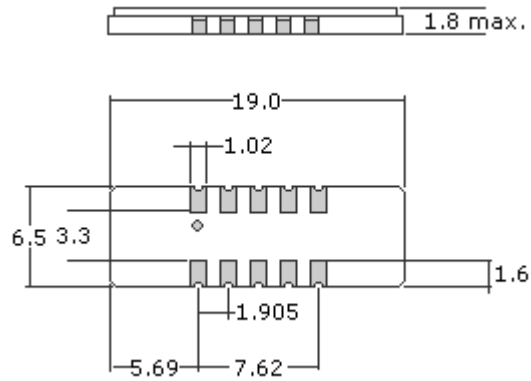
**OPERATING CONDITIONS / ELECTRICAL CHARACTERISTICS**

PARAMETERS	Minimum	Typical	Maximum	Units
Center Frequency	379.80	380.00	380.20	MHz
Insertion Loss	-	20.5	23.0	dB
1dB Bandwidth	4.0	4.02	-	MHz
3dB Bandwidth	4.3	4.46	-	MHz
40dB Bandwidth	-	6.2	6.5	MHz
Passband Ripple	-	0.70	1.0	dB
Group Delay Variation	-	120	200	nsec
Absolute Delay	-	1.71	-	µsec
Ultimate Rejection	40	45	-	dB
Substrate Material	-	Quartz	-	-
Ambient Temperature	-	25	-	°C
Phase Linearity	-	8.2	12.0	deg

\* Custom SAW IF Filters available. Contact Oscilent for assistance.

**PACKAGE OUTLINE (mm)**

**TEST FIXTURE**



L1 = 10nH                      L2 = 15nH  
 C1 = 18pF                      C2 = 24pF  
 Source/Load Impedance = 50 ohms

**Part No.:** 819-IF380.0M-A

**Oscilent Corporation** - CALL **949.252.0522**  
 17962 Sky Park Circle, Building D, Irvine, CA 92614, USA  
 Fax: 949.252.0599, E-Mail: Sales@Oscilent.com

Crystal Oscillators | Quartz Crystal | TCXO | VCXO | IF SAW Filter | RF SAW Filter | Ceramic Resonator  
 Crystal Filter | Ceramic Filter | SAW Filter / SAW Devices | Site Map