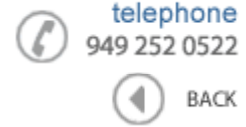




Data Sheet



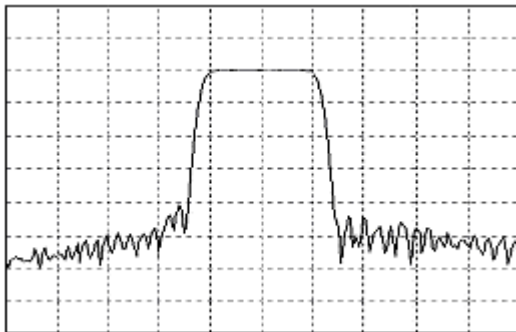
Product Category: IF SAW Filter

Part Number 819-IF190.0M-C	Package 19 x 6.5 SMD	Application Base Station, Repeater, HDR, IMT-2000	Last Modified May 22 2003
-------------------------------	-------------------------	--	------------------------------

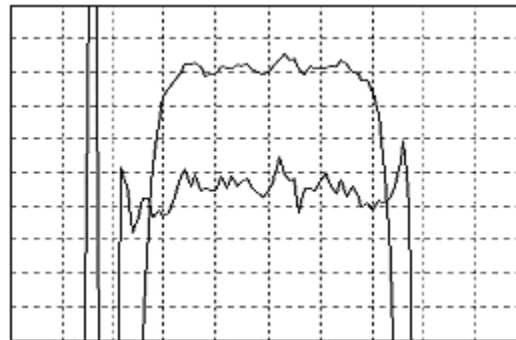
TYPE :
190.0 MHz Bandpass Filter
4.30 MHz Bandwidth



PART NUMBER :
819-IF190.0M-C



Horizontal : 2.0 MHz/Div
Vertical : 10 dB/Div



Horizontal : 1.0 MHz/Div
Vertical : 1 dB/Div
Vertical : 100 ns/Div

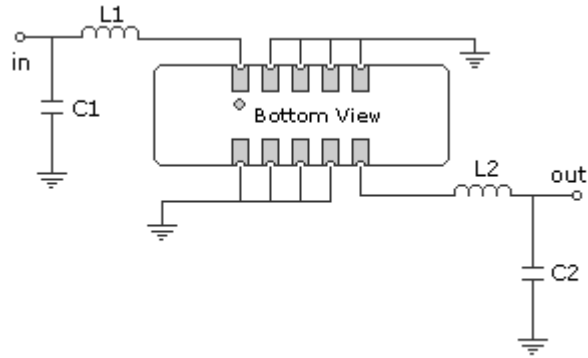
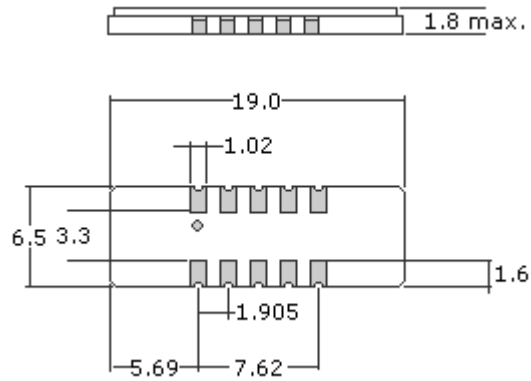
OPERATING CONDITIONS / ELECTRICAL CHARACTERISTICS

PARAMETERS	Minimum	Typical	Maximum	Units
Center Frequency	189.95	190.00	190.05	MHz
Insertion Loss	-	21.0	23.0	dB
1dB Bandwidth	4.0	4.07	-	MHz
3dB Bandwidth	4.3	4.43	-	MHz
40dB Bandwidth	-	5.70	5.80	MHz
Passband Ripple	-	0.70	1.0	dB
Group Delay Variation	-	160	200	nsec
Absolute Delay	-	2.16	-	µsec
Ultimate Rejection	40	50	-	dB
Substrate Material	-	Quartz	-	-
Ambient Temperature	-	25	-	°C
Phase Linearity	-	4.9	7.0	deg

* Custom SAW IF Filters available. Contact Oscilent for assistance.

PACKAGE OUTLINE (mm)

TEST FIXTURE



L1 = (56+15)nH L2 = 68nH
 C1 = 47pF (43) C2 = 43pF (47)
 Source/Load Impedance = 50 ohms

Part No.: 819-IF190.0M-C

Oscilent Corporation - CALL **949.252.0522**
 17962 Sky Park Circle, Building D, Irvine, CA 92614, USA
 Fax: 949.252.0599, E-Mail: Sales@Oscilent.com

Crystal Oscillators | Quartz Crystal | TCXO | VCXO | IF SAW Filter | RF SAW Filter | Ceramic Resonator
 Crystal Filter | Ceramic Filter | SAW Filter / SAW Devices | Site Map