



**Data Sheet**



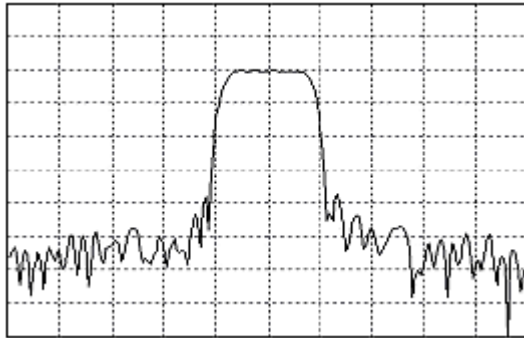
Product Category: IF SAW Filter

Part Number 819-IF160.0M-E	Package 19 x 6.5 SMD	Application Base Station, Repeater, HDR, IMT-2000	Last Modified May 30 2003
-------------------------------	-------------------------	--	------------------------------

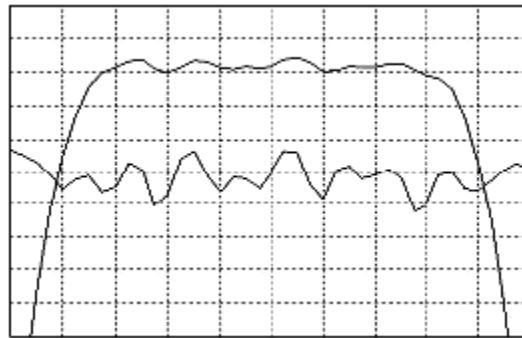
TYPE :  
160.0 MHz Bandpass Filter  
1.30 MHz Bandwidth



PART NUMBER :  
**819-IF160.0M-E**



Horizontal : 1.0 MHz/Div  
Vertical : 10 dB/Div



Horizontal : 0.2 MHz/Div  
Vertical : 1 dB/Div  
Vertical : 100 ns/Div

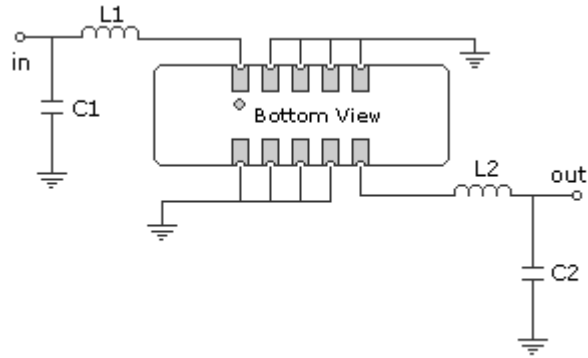
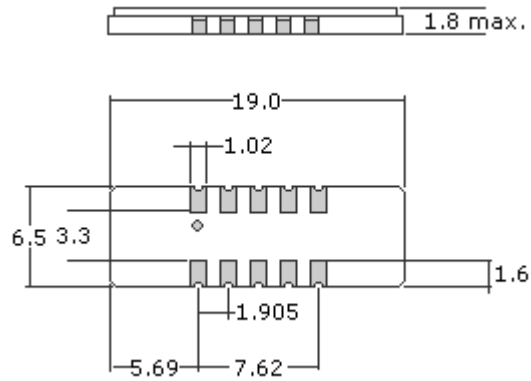
**OPERATING CONDITIONS / ELECTRICAL CHARACTERISTICS**

PARAMETERS	Minimum	Typical	Maximum	Units
Center Frequency	159.95	160.0	160.05	MHz
Insertion Loss	-	18.0	21.0	dB
0.5dB Bandwidth	1.18	1.35	-	MHz
3dB Bandwidth	1.30	1.60	-	MHz
30dB Bandwidth	-	2.2	3.0	MHz
Passband Ripple	-	0.49	0.8	dB
Group Delay Variation	-	170	200	nsec
Absolute Delay	-	2.5	-	µsec
Ultimate Rejection	35	50	-	dB
Substrate Material	-	Quartz	-	-
Ambient Temperature	-	25	-	°C
Phase Linearity	-	2.9	7.0	deg

\* Custom SAW IF Filters available. Contact Oscilent for assistance.

**PACKAGE OUTLINE (mm)**

**TEST FIXTURE**



L1 = 80nH                      L2 = 56nH  
 C1 = 36pF                      C2 = 39pF  
 Source/Load Impedance = 50 ohms

**Oscilent Corporation** - CALL **949.252.0522**

**Part No.:** 819-IF160.0M-E

17962 Sky Park Circle, Building D, Irvine, CA 92614, USA  
 Fax: 949.252.0599, E-Mail: Sales@Oscilent.com