



PRODUCT SPECIFICATION

REV O Dec 01 2016

Oscilent Controlled Document

Product Part Number	Product Description
Product Overview	Internal Active Antenna



Contents

- o Part Number Builder
- o Electrical Specifications
- o Product Options
- o Dimensions
- o Caution of Use

Application

- o GPS





Product Overview

Dec 01 2016 Rev O

Internal Active Antenna

Part Number Builder

Series Number	Antenna Size	Connector Type	Cable Length	Individual Specification	Operating Voltage	PCB
-			-	-	-	P
Internal Active 1321S = Single 1321B = Double 1321N = Passive	e.g. (mm) 2540 = 25x25x4.0	3 Alpha Digit e.g. SMA = SMA	e.g. 0100 = 1m	Internal code for individual spec, marking, and special parameters	3 = 3V ±0.3 5 = 5V ±0.5	P + 3 digit numerals

Electrical Specifications

Parameters Description	
Center frequency (MHz)	1575.42
Noise Coefficient (dB typ)	1.5
Axial Ratio (dB typ)	3
Output Impedance (Ω)	50
Working Voltage (V)	3.0 ±3 / 5.0 ±5 (optional)



Product Overview

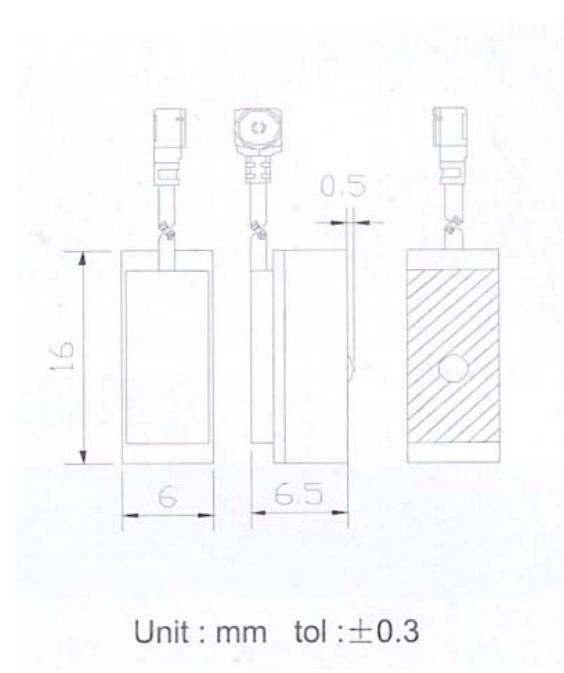
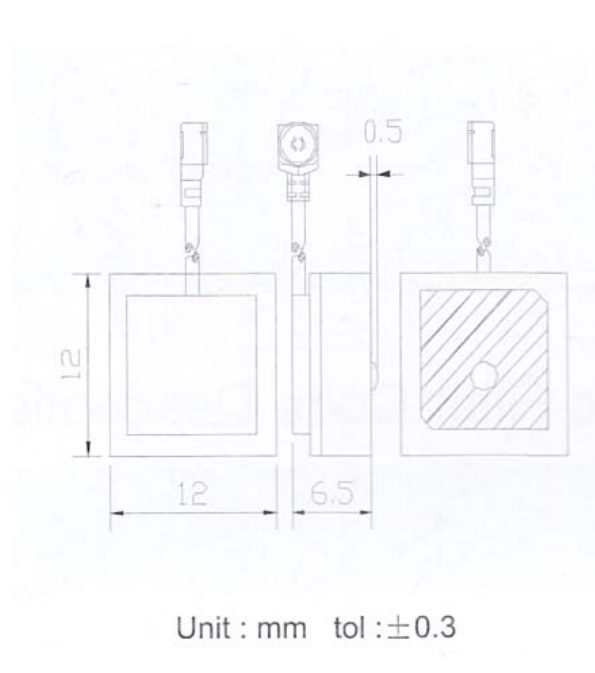
Dec 01 2016 Rev O

Internal Active Antenna

Product Options

Oscilent Part Number	Size (mm)	Antenna Gain (dBi typ)	Amplifier Gain (dBi typ)	Overall Gain (dBi typ)	Poles	Work Current (mA)
1322B-2540__	25x25x4	3.5	26	29.5	Double	13
1322S-2540__	25x25x4	3.5	18	21.5	Single	5
1322B-2520__	25x25x2	3.0	26	29.0	Double	13
1322S-2520__	25x25x2	3.0	18	21.0	Single	5
1322B-1840__	18x18x4	2.0	26	28.0	Double	13
1322S-1840__	18x18x4	2.0	18	20.0	Single	5
1322B-1820__	18x18x2	1.5	26	27.5	Double	13
1322S-1820__	18x18x2	1.5	18	19.5	Single	5
1322B-1540__	15x15x4	1.0	26	27.0	Double	13
1322S-1540__	15x15x4	1.0	18	19.0	Single	5
1322B-1520__	15x15x2	1.0	26	27.0	Double	13
1322S-1520__	15x15x2	1.0	18	19.0	Single	5
1322B-1340__	13x13x4	0	26	26	Double	13
1322S-1340__	13x13x4	0	18	18	Single	5
1322B-1320__	13x13x2	0	26	26	Double	13
1322S-1320__	13x13x2	0	18	18	Single	5
1322B-1240__	12x12x4	0	26	26	Double	13
1322S-1240__	12x12x4	0	18	18	Single	5
1322B-1220__	12x12x2	-1	26	25	Double	13
1322S-1220__	12x12x2	-1	18	17	Single	5
1322B-200640__	20x6x4	-2	26	24	Double	13
1322S-200640__	20x6x4	-2	18	16	Single	5
1322B-160640__	16x6x4	-3	26	23	Double	13
1322S-160640__	16x6x4	-3	18	15	Single	5

* __ = use part number builder to complete the product code. Contact Oscilent for more information.

Dimensions

* Contact Oscilent for additional drawings and graphs

Caution of use

1. Do not apply excess mechanical stress to the component and terminals at soldering.
2. The component may be damaged when excess stress is applied.
3. This specification is based on the quality of the component as a single unit. Thoroughly evaluate the component in your application circuit.