



Data Sheet

telephone
949 252 0522
BACK

Product Category: Ceramic Resonator

Series Number	Package	Description	Last Modified
650	ZTU Ceramic	Low Profile	Jan. 01 2007

FEATURES

- Low profile
- Low frequency range
- Extended temperature range
- High stability
- Built in load capacitance
- RoHs Compliant



OPERATING CONDITIONS / ELECTRICAL CHARACTERISTICS

Series No.	Type	Frequency Range	Frequency Accuracy	Operating Temperature	Stability in Temperature
		(KHz)	KHz	°C	(-20 ~ +80°C)
650	ZTU	450 ~ 500	±2	-20 ~ 80	±0.3%

PACKAGE DIMENSIONS (mm)

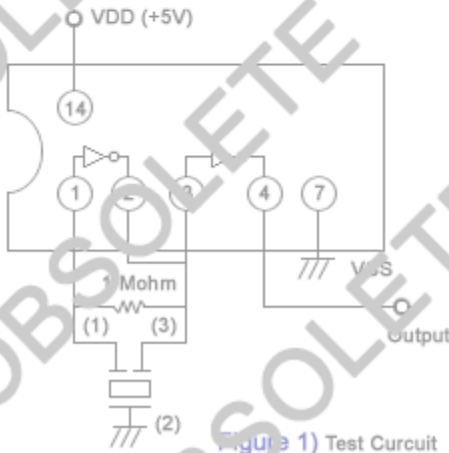
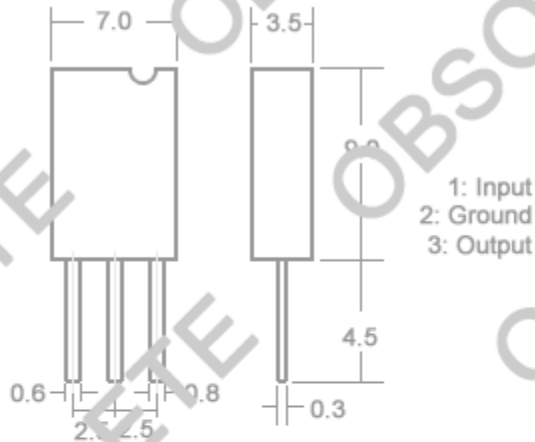


Figure 1) Test Curcuit

PART NUMBER GUIDE

--	--	--	--

Part Number	Frequency	Packaging*
650-450.0M	450 KHz	Blank* = Bulk -TR = Tape/ Reel
650-455.0M	455	
650-480.0M	480	
650-500.0M	500	

NOTE: Deviations on all parameters available. Please consult Oscilent for details.
DEFINITIONS: Click on the characteristic names above, for definitions of the particular characteristic.
***PACKAGING:** Click on the packaging name above for tape/reel specifications

Oscilent Corporation - CALL **949.252.0522**

Series No.: [650](#)

18195 East McDermott Street . Building D . Irvine . CA 92614 . USA
Fax: 949.252.0599 . E-Mail: Sales@Oscilent.com
