



**Data Sheet**



Product Category: Ceramic Resonator

Series Number	Package	Description	Last Modified
638	ZTB Ceramic	Surface Mountable	Mar. 23 2009

**FEATURES**

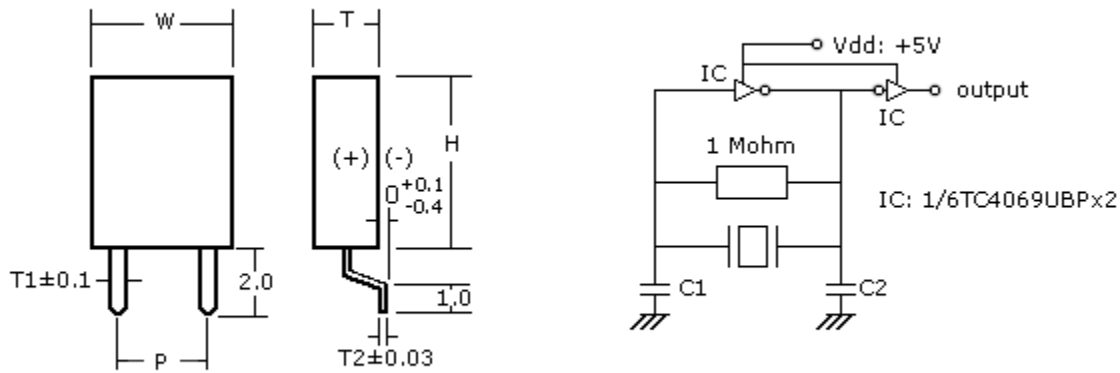
- Low frequencies
- Extended temperature range
- Surface Mountable Ceramic Resonator
- High stability
- RoHS Compliant



**OPERATING CONDITIONS / ELECTRICAL CHARACTERISTICS**

Frequency Range (KHz)	Frequency Accuracy @ 25°C	Resonant Impedance ohm max.	Stability in Temp. -20~+80°C	Aging for Ten Years (%)	Load Capacitance (pF)	
					C1	C2
375 ~ 429	±2 KHz	20	±0.3%	±0.3	120	470
430 ~ 509	±2 KHz	20				
510 ~ 699	±2 KHz	30				
700 ~ 999	±0.5%	70				
1000 ~ 1250	±0.5%	100				

**PACKAGE DIMENSIONS (mm)**



Freq. Range (KHz)	Dimensions					
	W	T	H	P	T1	T2
375 ~ 429	8.0	3.5	9.0	5.0	1.1	0.15
430 ~ 509	7.5	3.3	8.5	5.0	1.1	0.15
510 ~ 699	7.0	3.0	8.5	5.0	1.1	0.15
700 ~ 1250	5.0	2.2	6.0	2.5	0.8	0.12

**PART NUMBER GUIDE**

Part Number	Frequency	Packaging**
<b>638</b>	<b>- 680 K</b>	
Series Number	e.g. -680K = 680KHz Range = 375 ~ 1250 KHz	Blank* = Bulk -TR = Tape/ Reel

NOTE: Deviations on all parameters available. Please consult Oscilent for details.

DEFINITIONS: Click on the characteristic names above, for definitions of the particular characteristic.

\*STANDARDS: "Blank" part number selections, indicate standard variables for the particular characteristic.

\*\*PACKAGING: Click on the packaging name above for tape/reel specifications

**Oscilent Corporation** - CALL **949.252.0522**

18195 East McDermott Street . Building D . Irvine . CA 92614 . USA

Fax: 949.252.0599 . E-Mail: Sales@Oscilent.com

**Series No.:** 638