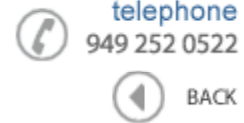




Data Sheet



Product Category: Filters

| Series Number | Package            | Description | Last Modified |
|---------------|--------------------|-------------|---------------|
| 747           | SMD Ceramic Filter | 450 KHz     | Dec. 22 2008  |

## Filter FEATURES

- Surface Mount
- RoHS Compliant



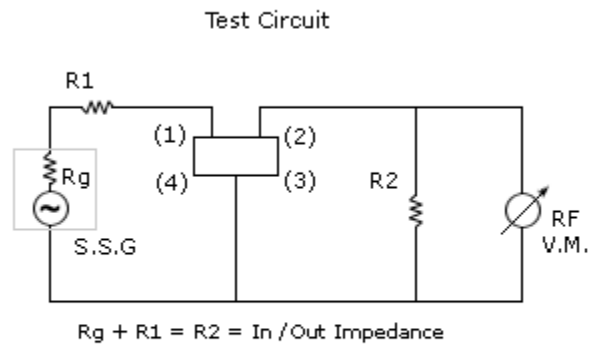
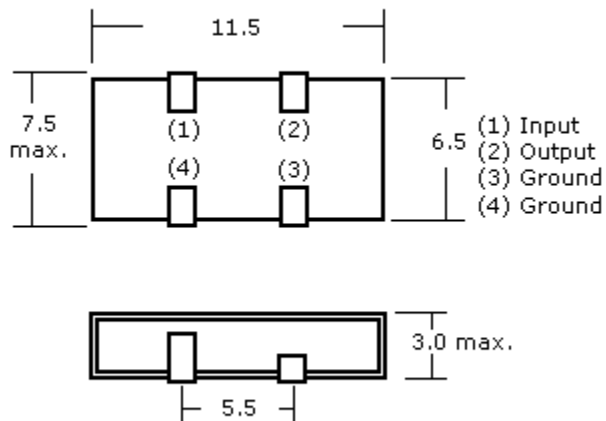
### OPERATING CONDITIONS / ELECTRICAL CHARACTERISTICS / PART NUMBER GUIDE

| PART NO.                   | 6dB Bandwidth | 50dB Bandwidth | Pass Band Ripple | Spurious Attenuation<br>fn $\pm 100$ KHz | Insertion Loss | In/Output Impedance |
|----------------------------|---------------|----------------|------------------|--|----------------|---------------------|
|                            | KHz min.      | KHz max.       | dB max.          | dB min.                                  | dB max.        | Kohm                |
| <a href="#">747-450-BW</a> | $\pm 15$      | $\pm 30$       | 2                | 50                                       | 4              | 1                   |
| <a href="#">747-450-CW</a> | $\pm 12.5$    | $\pm 25$       | 2                | 50                                       | 4              | 1                   |
| <a href="#">747-450-DW</a> | $\pm 10$      | $\pm 20$       | 2                | 50                                       | 4              | 1.5                 |
| <a href="#">747-450-EW</a> | $\pm 7.5$     | $\pm 15$       | 2                | 50                                       | 4              | 1.5                 |
| <a href="#">747-450-FW</a> | $\pm 6$       | $\pm 12$       | 2                | 47                                       | 6              | 1.5                 |
| <a href="#">747-450-GW</a> | $\pm 4.5$     | $\pm 10$       | 2                | 47                                       | 6              | 1.5                 |
| <a href="#">747-450-HW</a> | $\pm 3$       | $\pm 9$        | 2                | 47                                       | 6              | 1.5                 |
| <a href="#">747-450-IW</a> | $\pm 2$       | $\pm 7.5$      | 2                | 47                                       | 6              | 1.5                 |

**NOTE:** Deviations on all parameters available. Please consult Oscilent for details.

**DEFINITIONS:** Click on the characteristic names above, for definitions of the particular characteristic.

## PACKAGE DIMENSIONS (mm)



**Oscilent Corporation** - CALL **949.252.0522**  
 18195 East McDermott Street . Building D . Irvine . CA 92614 . USA  
 Fax: 949.252.0599 . E-Mail: Sales@Oscilent.com

Series No.: **747**