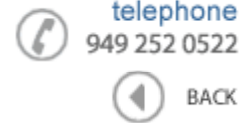




Data Sheet



Product Category: Filters

| Series Number | Package            | Description | Last Modified |
|---------------|--------------------|-------------|---------------|
| 745           | SMD Ceramic Filter | 450 KHz     | Dec. 22 2008  |

## Filter FEATURES

- Surface Mount
- RoHS Compliant

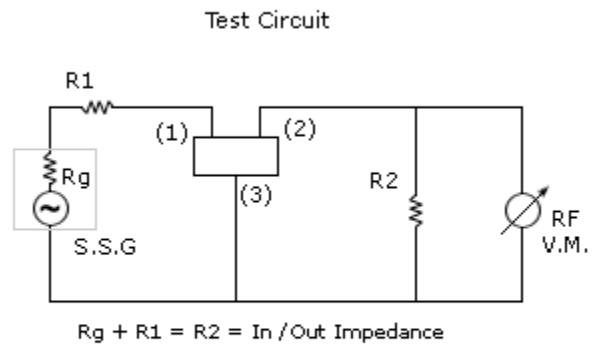
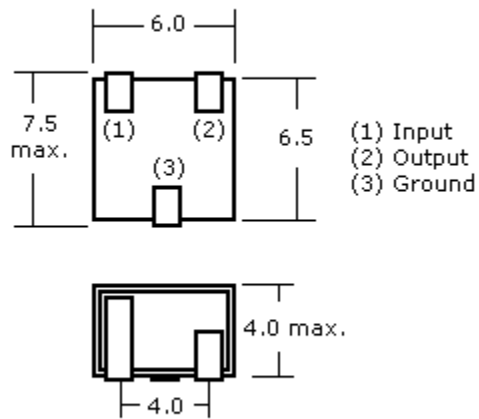


## OPERATING CONDITIONS / ELECTRICAL CHARACTERISTICS / PART NUMBER GUIDE

| PART NO.   | 6dB Bandwidth | 40dB Bandwidth | Pass Band Ripple | Spurious Attenuation<br>fn $\pm 100$ KHz | Insertion Loss | In/Output Impedance |
|------------|---------------|----------------|------------------|--|----------------|---------------------|
|            | KHz min.      | KHz max.       | dB max.          | dB min.                                  | dB max.        | Kohm                |
| 745-450-BU | $\pm 15$      | $\pm 30$       | 2                | 27                                       | 4              | 1                   |
| 745-450-CU | $\pm 12.5$    | $\pm 25$       | 2                | 27                                       | 4              | 1                   |
| 745-450-DU | $\pm 10$      | $\pm 20$       | 2                | 27                                       | 4              | 1.5                 |
| 745-450-EU | $\pm 7.5$     | $\pm 15$       | 2                | 27                                       | 6              | 1.5                 |
| 745-450-FU | $\pm 6$       | $\pm 12$       | 2                | 27                                       | 6              | 1.5                 |
| 745-450-GU | $\pm 4.5$     | $\pm 10$       | 2                | 25                                       | 6              | 1.5                 |
| 745-450-HU | $\pm 3$       | $\pm 9$        | 2                | 25                                       | 6              | 1.5                 |
| 745-450-IU | $\pm 2$       | $\pm 7.5$      | 2                | 25                                       | 6              | 1.5                 |

**NOTE:** Deviations on all parameters available. Please consult Oscilent for details.

**DEFINITIONS:** Click on the characteristic names above, for definitions of the particular characteristic.

**PACKAGE DIMENSIONS (mm)**

**Oscilent Corporation** - CALL **949.252.0522**  
 18195 East McDermott Street . Building D . Irvine . CA 92614 . USA  
 Fax: 949.252.0599 . E-Mail: Sales@Oscilent.com

**Series No.:** 745