



Data Sheet

Corporation


 telephone
 949 252 0522


BACK

Product Category: Filters

Series Number	Package	Description	Last Modified
730	Ceramic LT/W	450 KHz 6 Element	Jan. 01 2008

Filter FEATURES

- Ultra small size
- 8.0mm profile
- Broadband width
- High selectivity
- 6 element
- RoHS Compliant


OPERATING CONDITIONS / ELECTRICAL CHARACTERISTICS / PART NUMBER GUIDE

PART NO.	6dB Bandwidth	50dB Bandwidth	Pass Band Ripple	Spurious Attenuation fn ± 100 KHz	Insertion Loss	In/Output Impedance
	KHz min.	KHz max.	dB max.	dB min.	dB max.	Kohm
730-450-AW	± 17	± 35	2	40	4	1
730-450-BW	± 15	± 30	2	40	4	1.5
730-450-CW	± 12.5	± 24	2	40	4	1.5
730-450-DW	± 10	± 20	2	40	4	1.5
730-450-EW	± 7.5	± 15	2	40	6	1.5
730-450-FW	± 6	± 12.5	2	40	6	2
730-450-GW	± 4.5	± 10	2	40	6	2
730-450-HW	± 3	± 9	2	40	6	2
730-450-IW	± 2	± 7.5	2	40	6	2
730-450-HT	± 3	± 9	2	60	6	2

NOTE: Deviations on all parameters available. Please consult Oscilent for details.

DEFINITIONS: Click on the characteristic names above, for definitions of the particular characteristic.

PACKAGE DIMENSIONS (mm)

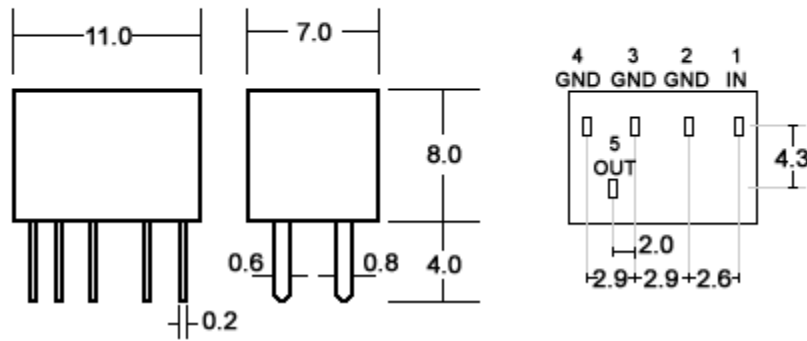
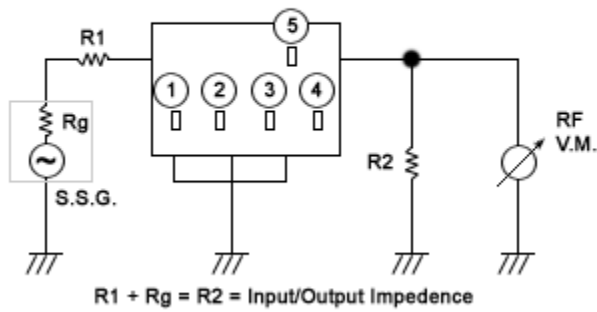


Figure 1) Front and Side Views



Oscilent Corporation - CALL **949.252.0522**
 18195 East McDermott Street . Building D . Irvine . CA 92614 . USA
 Fax: 949.252.0599 . E-Mail: Sales@Oscilent.com

Series No.: 730